

User Manual

Advance Mobile Charging Kit for
KYOCERA® DuraXV Extreme
KYOCERA® DuraXE Epic
KYOCERA® DuraXA Equip



www.advancetec.com



*mobile phone not included

Mobile Charging Kit Part # AT6773A consists of:

1. Part # AT6772A

Cradle

3. Part # AT8232A

Power Cable

2. Part # AT8267A

Junction Box

4. Part # AT6377A

Mounting Bracket



Index

Page	Details
3	Installation
4	Warnings
5	Installing Power Cable
7	Connecting Cables to Junction Box
10	Inserting and removing handset from cradle
11	Car Ignition connection
11	Charging Battery
11	Operating Specifications
13	Warranty



■ MOBILE CHARGER INSTALLATION

Before beginning the installation process, determine the best locations for the mounting of the **Mounting Bracket, Hands-free Cradle and Junction Box**.

Consider the following guideline when planning the installation:

- **DO** use all mounting hardware provided.
- **DO** ensure that cables are not placed under stress.
- **DO** follow proper + and connections.
- **DO** crimp connectors securely.
- **DO NOT** attach components to any part of the vehicle that is not rigid or is subject to excessive vibration.
- **DO NOT** install components in areas where rain or snow can easily get into them, such as next to a vehicle window, which may be left open.
- **DO NOT** dress cables over sharp edges that could cause wear or tearing of cable insulation.
- **DO NOT** install components in locations where they might interfere with the vehicle operator or operating controls.
- **DO NOT** install the Hands-free Cradle where it will be difficult for the operator to reach.



WARNING

VEHICLES EQUIPPED WITH AIR BAGS

An air bag inflates with great force. **DO NOT** place objects, including communications equipment, in the area over the air bag or in the air bag deployment area. If the communication equipment is improperly installed and the air bag inflates, this could cause serious injury.

It is recommended that the installation of the vehicle communication equipment be performed by a professional installer/technician trained in the requirements for such installations. An air bag's size, shape and deployment area can vary by vehicle make, model, and front compartment configuration (for example, bench seat vs. bucket seats). Contact the vehicle manufacturer's corporate headquarters, if necessary, for specific air bag information for the vehicle make, model, and front compartment configuration involved in your communication equipment installation.



INSTALLATION OF THE MOUNTING BRACKET AND CLAM CRADLE

Remove the screw holding the top portion of the Mounting Bracket as shown in Diagram 1 and separate the top portion of the mounting bracket from the bottom portion. Retain position of this screw, as it will be needed to reattach the top to the bottom as described below.

Diagram 1

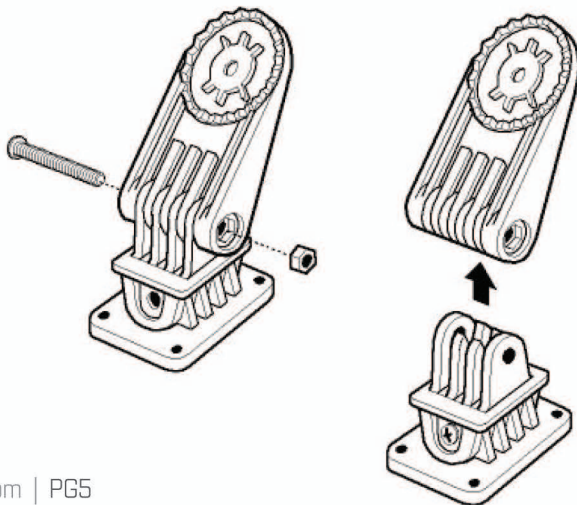
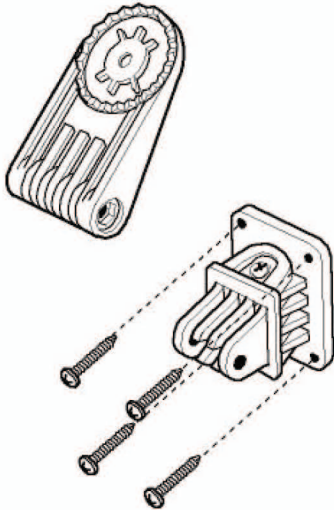




Diagram 2



Mount the bottom portion of the mounting bracket in the desired position in the vehicle using the 4 self tapping sheet metal screws included, in such a way so as not to interfere with air bag deployment and within easy reach of the driver operator to ensure easy access to the portable. Maintain sufficient clearance above and below the Mounting Bracket for the Cradle and for the cables

Attach the cradle to the top portion of the mounting bracket with a single screw through the rear of the cradle. In order to obtain a better position of the portable's display when it is in the cradle, adjust the angle of the cradle by loosening the screw and moving the cradle to the desired position. Retighten the screw when finished.



Diagram 3

Power Cable



D. INSTALLING THE POWER CABLE



Caution! The Car kit should be used with a negative ground electrical system only. Reverse polarity (positive ground) will trigger protection circuits which cause the cable fuse to open. Check the ground polarity before you begin the installation to prevent wasted time and effort. 12V DC or 24V DC automotive systems are directly supported. Determine the best cable route to the vehicle ignition for the Power Cable from the location where you intend to mount the Junction Box.

1. Route the black lead of the main power cable to a convenient chassis ground and the red lead to the positive supply voltage connection point. If it is necessary to penetrate the firewall, try to use an existing opening.
2. If there is no existing opening, drill a new hole approximately 9/16" or 3.5cm in diameter. Make sure that there is clearance on the opposite side. Insert a grommet into the hole to prevent damage to the power cable. When making connections on the engine side of the firewall, additional in-line fuse holder (included) should be used at the connection points.
3. Cut the black lead to the desired length.



To Vehicle ground System

To Vehicle Supply Voltage



In Line Fuse

4. If the connection is being made under the dash or in the vehicle cabin, connect the black lead directly to the chassis of the vehicle.
5. If the connection is being made in the engine compartment, connect the in-line fuse holder between the black lead of the power cable and the desired chassis connection point.



Note! Do not connect the black lead to the negative [-] battery terminal. The Car Kit could be damaged if there were a malfunction in the vehicle's electrical system.

6. Cut the red lead to the desired length. This lead will be connected such that it has positive supply voltage at all times, even when the vehicle is turned off.
7. If the connection is being made under the dash or in the vehicle cabin, connect the red lead to a positive supply voltage point.
8. If the connection is being made in the engine compartment or directly to the battery, connect the in-line fuse holder between the red lead of the power cable and the desired positive voltage connection point.



CONNECTING CABLES TO JUNCTION BOX.

1. Locate a position for the junction box beneath the dashboard on the passenger's side of the vehicle or on the center side post between the front seats. It must be protected from dirt and moisture and must be afforded adequate space for cooling. There must be sufficient space to allow for connection of all cabling.
2. After connecting the power cable's connector to the Junction Box, cut in half the red wire attached to the fuse housing supplied. Cut the long red power lead to the desired length and connect (crimp) it to the one end of the wire to the fuse housing.
4. Connect the other end of the wire from the red fuse housing to the positive (+) side of the ignition. The fuse housing can be secured in place by using a plastic tie or screw through the hole in the fuse's plastic housing
5. Mount the junction box in place using the 2 mounting screws supplied.



Diagram 5



INSERTING AND REMOVING THE HANDSET FROM CRADLE

Diagram 7

1. Insert the top of the handset behind the ridge on the cradle and push up and the the bottom of the handset back into the Cradle as shown in **Diagram 7** above until it snaps into place.

2. The phone charges when the 2 gold receptable contacts on the back of the phone and the two pins on the back of the cradle (**Diagram 7**) come into contact, once the phone is placed in cradle.

5. To remove the handset from the Cradle, press the release button on the bottom of the cradle. The Handset will snap forward out of the cradle.






CAR IGNITION CONNECTION

1. When the car ignition is ON, the Charging Kit will stay on.
2. When the ignition is turned OFF the Car Kit will turn OFF (time to be set by factory default time is 30 minutes)

CHARGING THE BATTERY

1. With the handset turned off, the car kit will charge the battery to 60% in approximately 1 hour. The charge time will be longer if the handset is operational during charge time.
2. For operator convenience, the handset's backlight will remain on for ease of viewing during low/no-light conditions.

 **NOTE! Batteries will charge within the temperature window of 0 C to +40 C [32 F to 104 F]. If the battery is outside the temperature window, no charge current will be supplied to the battery.**

OPERATING SPECIFICATIONS

Input voltage range: 12V DC to 24V DC
Operating ambient: 0° C to +45° C

■ WARRANTY

Your product has a one-year limited warranty from date of purchase against defects in material and workmanship. Under this warranty, you may return a faulty product to AdvanceTec and AdvanceTec will either repair or replace the faulty product free of charge. To return a faulty product for repair or replacement, please call AdvanceTec in the USA at 305-623-3939 to obtain a Return Material Authorization number. If outside of the USA, contact your authorized AdvanceTec dealer for a Return Material Authorization. This warranty covers only defects in material or workmanship in normal use and not damage from negligent handling, misuse, charging of batteries other than those the charger was specified and designed to charge, or lack of proper care.

Important: Opening of the product will void this warranty. This warranty gives you specific legal rights. You may also have other rights, which vary from state to state.

OTHER THAN AS EXPRESSLY SET FORTH ABOVE, AdvanceTec Industries, Inc DOES NOT MAKE ANY EXPRESS OR IMPLIED WARRANTIES OR REPRESENTATIONS REGARDING THEIR PRODUCTS. ANY IMPLIED WARRANTIES OF MERCHANTABILITY, NONINFRINGEMENT, AND FITNESS FOR A PARTICULAR PURPOSE ARE EXPRESSLY EXCLUDED AND DISCLAIMED.

AdvanceTec will not be liable or responsible for any loss, damage, or injury caused by any failure of its products to operate properly or promptly.



1150 NW 163rd Drive, Miami, FL 33169
T: 305-623-3939 F: 305-623-3996

www.advantec.com

