



USER'S GUIDE

Thermal Printer

MP-A40 SERIES

Read this USER'S GUIDE carefully before using the printer.
Keep this USER'S GUIDE in a place where it can be accessed quickly.

Seiko Instruments Inc.

U00137991300 August 2016
U00137991301 November 2016
U00137991302 January 2018
U00137991303 August 2019
U00137991304 April 2020
U00137991305 June 2021
U00137991306 September 2021
U00137991307 June 2022
U00137991308 December 2022

Copyright ©2016-2022 by Seiko Instruments Inc.

All rights reserved.

The information contained herein is the property of SII and shall not be reproduced in whole or in part without prior written approval of SII.

SII reserves the right to make changes in the specifications and materials contained herein without notice and shall not be responsible for any damages (including consequential) caused by reliance on the materials presented, including but not limited to typographical, arithmetic, and listing errors.

This product is developed as a product for industrial equipment use.

SII ● is a trademark of Seiko Instruments Inc.
Apple®, iPhone®, iPad®, iPod® are trademarks of Apple Inc.
Bluetooth® is a registered trademark of Bluetooth SIG, Inc.
IOS is a trademark or registered trademark of Cisco in the U.S.
and other countries and is used under license.
All other trademarks are the properties of their respective companies.

Applicable EC Directive and Standards

Product: Thermal Printer MP-A40-B

<u>Directive:</u>	<u>Title</u>
2014/53/EU	Radio Equipment Directive
2011/65/EU (Commission Delegated Directive (EU) 2015/863)	Restriction of the use of certain hazardous substances (RoHS) Directive

Standards

EN 301 489-1
EN 301 489-17
EN 300 328
EN 62368-1
EN IEC 63000

Product: Thermal Printer MP-A40-W

<u>Directive:</u>	<u>Title</u>
2014/53/EU	Radio Equipment Directive
2011/65/EU (Commission Delegated Directive (EU) 2015/863)	Restriction of the use of certain hazardous substances (RoHS) Directive

Standards

EN 301 489-1
EN 301 489-17
EN 300 328
EN 301 893
EN 62368-1
EN IEC 63000



Restrictions: Operations in 5150-5250 MHz band is for indoor use only.
This product is for use only with nominal voltage in each country.

This product may be used in following all EU and EFTA countries:

EU

Austria, Belgium, Bulgaria, Croatia, Cyprus, Czech Republic, Denmark, Estonia, Finland, France, Germany, Greece, Hungary, Ireland, Italy, Latvia, Lithuania, Luxembourg, Malta, Poland, Portugal, Romania, Slovakia, Slovenia, Spain, Sweden, Netherlands

EFTA

Iceland, Norway, Switzerland, Liechtenstein

Product: AC adapter PW-D0940-W2

<u>Directive:</u>	<u>Title</u>
2014/30/EU	EC Electromagnetic Compatibility Directive
2014/35/EU	EC Low Voltage Directive
2011/65/EU (Commission Delegated Directive (EU) 2015/863)	Restriction of the use of certain hazardous substances (RoHS) Directive

Standards

EN 55032 Class B
EN IEC 61000-3-2
EN 61000-3-3
EN 55035
EN 62368-1
EN IEC 63000

Product: Battery Charger PWC-A071-A1

<u>Directive:</u>	<u>Title</u>
2014/30/EU	EC Electromagnetic Compatibility Directive
2011/65/EU (Commission Delegated Directive (EU) 2015/863)	Restriction of the use of certain hazardous substances (RoHS) Directive

Standards

EN 55032 Class A
EN IEC 61000-3-2
EN 61000-3-3
EN 55035
EN IEC 63000

Applicable UK Directive and Standards

Product: Thermal Printer MP-A40-B

<u>Directive:</u>
Radio Equipment Regulations 2017
The Restriction of the Use of Certain Hazardous Substances in Electrical and Electronic Equipment Regulations 2012

Standards

BS EN 301 489-1
BS EN 301 489-17
BS EN 300 328
BS EN 62368-1
BS EN IEC 63000

Product: Thermal Printer MP-A40-W

<u>Directive:</u>
Radio Equipment Regulations 2017
The Restriction of the Use of Certain Hazardous Substances in Electrical and Electronic Equipment Regulations 2012

Standards

BS EN 301 489-1
BS EN 301 489-17
BS EN 300 328
BS EN 301 893
BS EN 62368-1
BS EN IEC 63000



Restrictions: Operations in 5150-5250 MHz band is for indoor use only.
This product is for use only with nominal voltage in each country.

Product: AC adapter PW-D0940-W2

Directive:

Electromagnetic Compatibility Regulations 2016
Electrical Equipment (Safety) Regulations 2016
The Restriction of the Use of Certain Hazardous Substances in Electrical and Electronic Equipment Regulations 2012

Standards

BS EN 55032 Class B
BS EN ICE 61000-3-2
BS EN 61000-3-3
BS EN 55035
BS EN 62368-1
BS EN IEC 63000

Product: Battery Charger PWC-A071-A1

Directive:

Electromagnetic Compatibility Regulations 2016
The Restriction of the Use of Certain Hazardous Substances in Electrical and Electronic Equipment Regulations 2012

Standards

BS EN 55032 Class A
BS EN IEC 61000-3-2
BS EN 61000-3-3
BS EN 55035
BS EN IEC 63000

Federal Communications Commission (FCC) compliance statement

NOTE: This equipment has been tested and found to comply with the limits for a Class A digital device, pursuant to part 15 of the FCC Rules. These limits are designed to provide reasonable protection against harmful interference when the equipment is operated in a commercial environment. This equipment generates uses and can radiate radio frequency energy and, if not installed and used in accordance with the instruction manual, may cause harmful interference to radio communications. Operation of this equipment in a residential area is likely to cause harmful interference in which case the user will be required to correct the interference at his own expense.

The changes or modifications not expressly approved by the party responsible for compliance could void the user's authority to operate the device.

Operations in 5150-5250 MHz band is for indoor use only.

Industry Canada (IC) compliance statement

This device complies with Industry Canada's license-exempt RSSs. Operation is subject to the following two conditions:

- (1) This device may not cause interference; and
- (2) This device must accept any interference, including interference that may cause undesired operation of the device.

Operations in 5150-5250 MHz band is for indoor use only.

RF exposure compliance

This transmitter must not be co-located or operating in conjunction with any other antenna or transmitter.

Applied to only a model with Bluetooth:

contains FCC ID: QQQBT121
contains IC: 5123A-BGTBT121

Applied to only a model with WLAN:

contains FCC ID : C4ZAB000005
contains IC : 4445A-AB000005

1. INTRODUCTION

This manual describes how to handle the MP-A40 thermal printer thermal printer (hereinafter referred to as the "printer") and optional products such as the battery pack, the AC adapter, the AC cable, the car charger, and the battery charger.

Read through "2. SAFETY PRECAUTIONS" and "3. OPERATING PRECAUTIONS" carefully before using the products, and handle them safely and properly.

Keep this manual in a safe place and available for future use whenever necessary



See "MP-A40 SERIES THERMAL PRINTER TECHNICAL REFERENCE" for more detailed function and specifications on the printer.

This manual consists of the following sections.

1. INTRODUCTION.....	1
2. SAFETY PRECAUTIONS	2
3. OPERATING PRECAUTIONS	7
4. PREPARATION	11
5. IDENTIFYING MODEL TYPE	13
6. EACH PART OF PRINTER	14
7. LED INDICATION OF PRINTER	16
8. POWER CONNECTION	19
9. LOADING THERMAL PAPER.....	23
10. TEST PRINT	27
11. FUNCTION SETTINGS	33
12. CONNECTING TO HOST DEVICE	36
13. PAPER WIDTH SETTING.....	40
14. INSTALLING BELT CLIP / SHOULDER STRAP	44
15. CHARGING BATTERY PACK.....	49
16. CHARGING FROM CAR CHARGER.....	53
17. CHARGING FROM BATTERY CHARGER	58
18. PRINTER MAINTENANCE	65
19. TROUBLESHOOTING.....	66
20. SPECIFICATIONS	67
21. ACCESSORIES AND CONSUMABLE PARTS	71
22. MS SETTINGS LIST	72

2. SAFETY PRECAUTIONS

In this SAFETY PRECAUTIONS, the following symbols are used to ensure safe and proper use of products and prevent from damaging devices.

 WARNING	Failure to follow the instructions marked with this symbol could result in severe personal injury or death.
 CAUTION	Failure to follow the instructions marked with this symbol could result in minor personal injury or property damage.

About symbols



The symbol indicates information which you should pay attention to (including danger and warnings).



The symbol indicates information about prohibited procedures.

indicates "Disassembly is prohibited."










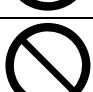
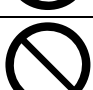
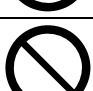
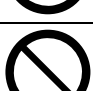
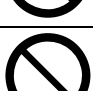
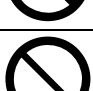
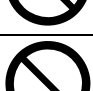


The symbol indicates information about obligated or instructed procedures.





indicates "Unplug the power plug from an outlet."








OPERATING PRECAUTIONS

The "products" shall collectively mean the printer, the battery pack, the AC adapter, the AC cable, the car charger, and the battery charger.





WARNING

Never attempt the followings. Failure to follow the instructions leads to fire, electric shock, or accident.	
	DO NOT disassemble or reconstruct the products.
	Take care not to spill liquid on the products.
	DO NOT touch the products with wet hands.
	DO NOT insert any foreign objects such as a piece of metal or any liquid into the products.
	Keep the terminals of the products, power connector, AC plug, DC plug, and cigar plug away from dust and metal objects.
	DO NOT touch the terminals of the products, power connector, AC plug, DC plug, and cigar plug. To avoid short circuits, prevent terminals of the products, power connector, AC plug, DC plug, and cigar plug from touching any conductor such as metal.
	Make sure that the AC plug, DC plug, and cigar plug are securely plugged in when using the products.
	DO NOT damage the AC cable, AC plug, DC plug, and cigar plug. DO NOT bend, pull, twist the cable forcibly or place heavy stuff on it.
	Use the printer only with the specified battery pack, specified AC adapter, specified AC cable, and specified car charger.
	Use the AC adapter only for the specified printer or specified battery charger.
	DO NOT connect any AC cable other than specified with the AC adapter.
	Use the battery charger only with the specified battery pack, specified AC adapter, and specified AC cable.
	DO NOT connect the car charger to the battery charger.
	DO NOT use the AC adapter and the car charger at a voltage other than the specified voltage.
	DO NOT charge the battery pack from any printer or battery charger other than the specified printer or specified battery charger.
	Be sure to charge the battery pack under the specified temperature range. Otherwise, it may cause leakage, overheating, rupture, or fire.



	DO NOT expose the battery pack in a fire or heat it.
	DO NOT leave the battery pack under high temperature conditions such as in scorching heat, inside a car, or near a fire. It may cause leakage, overheating, rupture, or fire.
	DO NOT apply strong impact to the battery pack with a hammer or a nail, and DO NOT crush it.
	DO NOT print out during a vehicle driving. Ejected thermal paper may hinder a vehicle driving.













Be sure to observe the following instructions. Failure to follow the instructions may lead to fire, electric shock, or accident.	
	Be sure to use only in countries where the products meet the regulations. Using non-compliant products may endanger the safety of products or be considered against regulations.
	Be sure to hold the plug when unplugging the AC cable, DC cable, or cigar plug from an outlet.
	Make sure to turn off the printer before connecting the AC adapter. After plugging the DC plug of AC adapter, plug the AC plug to an outlet.
	Make sure to turn off the printer before connecting the car charger. After plugging the DC plug of the car charger, plug the cigar plug to a car accessory socket.
	Make sure to turn off the printer when installing/removing the battery pack.
	Make sure to unplug the AC plug from an outlet after using the battery charger. And make sure to remove the battery pack from the battery charger.
	Make sure to unplug the cigar plug from a car accessory socket after using the car charger.

Procedures to take when in trouble

Follow the instructions in the following cases. Failure to follow the instructions may lead to fire, electric shock, or accident.	
	<p>Turn off the printer, and unplug the AC plug from an outlet in any of the following cases. (In case of using the car charger, unplug the cigar plug from a car accessory socket.) And then, remove the battery pack.</p> <ul style="list-style-type: none"> ◆ Abnormal states continues. ◆ The products are giving off an unusual smell, smoke, excessive heat or unusual noise. ◆ A piece of metal, water or other foreign objects get into the products. ◆ The case is broken.
	<p>When the cable of the AC adapter or AC cable is damaged, unplug the AC plug from an outlet. DO NOT use a damaged AC adapter or AC cable.</p> <p>When the cable of the car charger is damaged, unplug the cigar plug from a car accessory socket. DO NOT use the car charger which has damaged cable.</p>
	<p>In any of the following cases, remove the battery pack from the printer or battery charger. Then, stop using the battery pack and never put it close to fire.</p> <ul style="list-style-type: none"> ◆ The battery pack is giving off an unusual smell, smoke or excessive heat. ◆ The case is broken. ◆ Liquid is leaking.
	<p>When leaking liquid from battery pack gets into eyes, flush them immediately with clean water and see a doctor immediately.</p> <p>Otherwise it may cause vision loss.</p>

For wireless communication

Observe the following instructions.	
	Always turn off the printer in areas or regions where its use is prohibited, such as on the airplane.
	This function may adversely affect medical and electronic devices. Consult the manufacturer or the dealer of the devices to determine when they are shielded adequately.

Observe the following instructions. Failure to follow the instructions may lead fire, electric shock, or accident.	
	Turn off the products and unplug the AC plug from an outlet when not in use for a long time or before maintenance. And remove the battery pack from the printer or battery charger.
	DO NOT use or store the products in the following locations: <ul style="list-style-type: none"> ◆ Locations exposed to direct sunlight or high temperature such as in a car. ◆ Locations exposed to high humidity, a lot of dust, and liquid. ◆ Locations subject to strong vibration or unstable locations.
	DO NOT cover the products with a cloth when in use.
	NEVER touch the thermal head immediately after printing because it may get hot. Be sure to allow it to cool down before clearing a paper jam or cleaning its head.
	The printer has 2 paper cutters on the paper outlet: one is on the printer side, and the other is on the paper cover side. DO NOT touch the cutters directly with hands. Especially, make sure not to touch the exposed cutters while the printer cover is open.
	Keep loose objects such as long hair away from the printer while the printer operates. When they fall into the printer, it may cause personal injury or damage the printer.
	To prevent the battery pack from dropping off, be sure to install and fix the battery pack securely to the printer or battery charger. Dropped battery pack may cause personal injury or malfunction.
	When using the belt clip, be sure to install the battery pack in the printer because the belt clip comes off too easily from the printer without installing the battery pack. Dropped printer may cause personal injury or malfunction.
	When using the shoulder strap, be sure to install the shoulder strap securely to the printer. Dropped printer may cause personal injury or malfunction.
	Avoid the direct skin contact with the battery pack while using the belt clip or shoulder strap. Prolonged skin contact may cause low-temperature burns.
	Keep the products away from infants and children.
	When leaking liquid from battery pack contacts your skin or clothing, flush them immediately with clean water.

3. OPERATING PRECAUTIONS

Be careful of the following precautions and use the products properly in order to deliver and maintain the full performance of the products.

■ Using Products

Precautions for use environment

- ◆ Be careful not to drop or bump the products on a hard surface.
- ◆ DO NOT install the products in direct sunlight.
- ◆ Be careful about the ambient temperature and humidity.
Suitable environment for the use of the printer is as follows:

	Range of the temperature	Range of the humidity
Battery drive	-20°C to 50°C (-4°F to 122°F)	10%RH to 90%RH (Non condensing)
AC adapter drive	0°C to 40°C (32°F to 104°F)	20%RH to 80%RH (Non condensing)
Charge battery pack	0°C to 40°C (32°F to 104°F)	20%RH to 80%RH (Non condensing)

See "MP-A40 SERIES THERMAL PRINTER TECHNICAL REFERENCE" for the certifiable humidity range at each temperature.

- ◆ DO NOT install the products near devices that generate strong magnetism such as a copy machine motor.
- ◆ DO NOT install the products in a location that is subject to corrosive gas, siloxane and so on.
- ◆ DO NOT connect the AC adapter or AC cable to the same outlet with devices that generate noise.

Precautions on use and operation

- ◆ DO NOT print without the thermal paper.
- ◆ DO NOT use thermal paper taped together.
- ◆ NEVER forcibly pull out the thermal paper by hand with the thermal paper is loaded.
- ◆ DO NOT open the paper cover during printing.
- ◆ DO NOT touch the thermal paper during printing. Covering the paper outlet or pulling out the thermal paper during ejection may cause a paper jam or line feed failure.
- ◆ DO NOT connect or disconnect the interface cable during printing or communication.
DO NOT touch the plug of the interface cable during printing.
- ◆ When handling the printer, be aware of static electricity. When the static electricity is discharged, this could cause a USB communication failure.
When this problem occurs, disconnect the USB plug that is connected to the host device and wait a few seconds before connecting it again.
- ◆ DO NOT remove the battery pack or AC adapter during printing or transmission.

- ◆ Even if the AC adapter is connected with the printer during printing or communication using the battery pack as the power source, the power supply from the battery pack will continue until printing or communication is completed.
If the printer suspends printing because the battery remaining capacity becomes low, connect the AC adapter and resume printing or communication.
- ◆ DO NOT use the thermal head when it is wet. Doing so may damage the printer.
- ◆ Printing under low temperature environment or printing at a high print rate might cause unclear printing or generate loud sound. This is not a failure in the printer but an inherent paper phenomenon.
- ◆ Continuous printing with high print rate might cause temporarily stop printing by temperature detection of the printer. Printing resumes when the printer's temperature cools down. When this error occurs and "Data Discard Selection When Error Occurs" in the Function Settings is "Enable", the print data transmitted when an error occurs is discarded.
- ◆ In low temperature, the usable operating time of the printer may be shortened due to the characteristics of the battery pack.
- ◆ The indicator of battery remaining capacity shown in the POWER LED is for reference. The battery level may be significantly changed depending on the printer operation, so charge the battery pack before the battery becomes low.
- ◆ The battery pack should be charged at 0°C to 40°C (32°F to 104°F).
- ◆ The charging time depends on the ambient temperature and the voltage level of the battery pack. Normally, when using the printer or the battery charger "PWC-A071-A1", it takes about 4 hours to complete charging after running down the battery pack. When using the quad battery charger "PWC-A074-A1", it takes about 5 hours.
- ◆ The battery pack, the AC adapter and the car charger may get a little hot when in use. This is normal and not a malfunction.
- ◆ After using the battery charger, unplug the AC plug from the outlet. And make sure to remove the battery pack from the battery charger.
- ◆ Set the paper width before using the printer for the first time. DO NOT change the paper width after starting to use the printer. Doing so may damage the printer.
- ◆ Always use the specified thermal paper. See "21. ACCESSORIES AND CONSUMABLE PARTS" for details.
- ◆ DO NOT touch the thermal head directly. Doing so may result in poor printing quality due to the dirt or damage by the static electricity.
- ◆ NEVER touch the thermal head, paper sensor, or platen roller directly while opening the paper cover to install the thermal paper. Doing so may cause injury or other accidents.
- ◆ The printer has 2 paper cutters on the paper outlet: one is on the printer side, and the other is on the paper cover side. DO NOT touch the cutters directly with hands. Especially, make sure not to touch the exposed cutters while the printer cover is open.
- ◆ Be careful not to get your fingers or hands caught in the printer when opening or closing the paper cover.
- ◆ Cutting label sheets at the part other than release paper with the paper cutter, the label sheet adhesive may stick to the cutter, and the cutting ability may deteriorate.
- ◆ The car charger is only for charging. Even if the car charger is connected to the printer, the printer cannot print without the battery pack.
- ◆ Charging the battery pack from car charger is possible while the car engine is running or accessory power is providing. Ensure that the car battery remaining capacity is sufficient before using the car charger through the accessory power.

- ◆ After using the car charger, be sure to unplug the cigar plug from a car accessory socket.
- ◆ DO NOT print out during vehicle driving. The ejected thermal paper may hinder the driving of the vehicle.
- ◆ DO NOT drop or insert any foreign objects such as clips, pins, and screws in the internal parts or slot of the products.
- ◆ DO NOT drop any liquid or spray a solvent to the products.
- ◆ NEVER use sharp object such as pen tip to push the switch on the operation panel.
- ◆ Make sure not to injure your body or other objects by the plate edge.
- ◆ When something goes wrong with the printer during use, stop using it immediately, and remove the battery pack. And then, unplug the AC plug or the cigar plug from the outlet or car accessory socket.
- ◆ NEVER disassemble the printer without a serviceman.
- ◆ Be sure to close the cover securely to prevent the printer from falling while using the carrying case.
- ◆ The carrying case is not intended for use to improve the durability in dropping or the waterproof property.

Precautions for Wireless communication

- ◆ When using the Bluetooth interface, the communication may become unstable due to the influence from external radio waves. This is based on Bluetooth specification which is a wireless communication standard.
- ◆ The model with Bluetooth operates in the 2.4GHz frequency range. The model with Wireless LAN IEEE802.11b/g/n uses 2.4GHz frequency range, and IEEE802.11a/n uses 5GHz frequency range. So if this model is used around other wireless LAN or any equipment using the same frequency range such as a microwave oven, radio frequency interference may occur, and the communication may become unstable. When it happens, turn off the interfering equipment or increase the distance. Alternatively, shorten the distance between the host device and the printer as much as possible.
- ◆ When using the model with Wireless LAN IEEE802.11a/n, the printer may stop communication temporarily before outputting radio wave to the target channel not to affect the weather radar, air traffic control radar or others. This is to monitor the presence of radar waves for a certain time. If the printer detects radio waves such as radar during operation, it may switch to another channel.

Precautions for maintenance

- ◆ Clean the products' cases using a soft and lint-free cloth. DO NOT use alcohol or other solvent.
- ◆ Before using, clean the terminals using a dry, soft, and lint-free cloth when they are dry. If the terminals are dirty, it may cause contact failure.
- ◆ When cleaning the thermal head, always wipe it with a cotton swab or other soft material.
- ◆ If the carrying case becomes dirty, clean it by a cloth which is moistened with water and wrung out strongly.
- ◆ If the inside of the carrying case becomes wet, dry it before use.

Precautions for storing

- ◆ Turn off the power when not in use.
In addition, when the printer is not used for a long time,
 - Unplug the AC plug from an outlet.
 - Remove the battery pack from the printer. If not, it will cause overdischarge, and the battery pack will not be usable even after it is charged.
 - Set thermal paper to protect the platen.
- ◆ When the printer is not used for a long time, store the battery pack in a cool place. Avoid long-term storage in a fully charged state as much as possible because it may shorten the life span of the battery pack.

■ Thermal Paper Handling

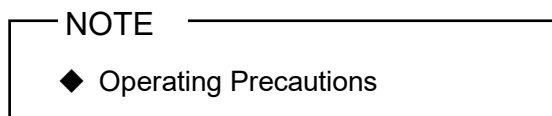
- ◆ Store the thermal paper in a cool, dry, and dark place.
- ◆ DO NOT rub the thermal paper with hard objects.
- ◆ DO NOT leave the thermal paper near organic solvents.
- ◆ DO NOT allow PVC film, erasers, or adhesive tape to touch the thermal paper for long periods.
- ◆ DO NOT stack the thermal paper with diazo copies immediately after copying.
- ◆ DO NOT use chemical glue.

■ Precautions on Discarding

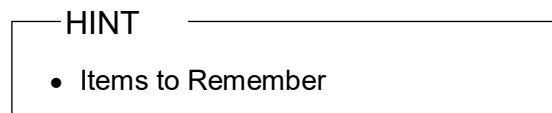
When discarding used products, discard them according to the disposal regulations and rules of each district.

■ Notations

The following 2 types of notations are used throughout this manual to denote operating precautions and items to remember besides the symbols shown in "2. SAFETY PRECAUTIONS":



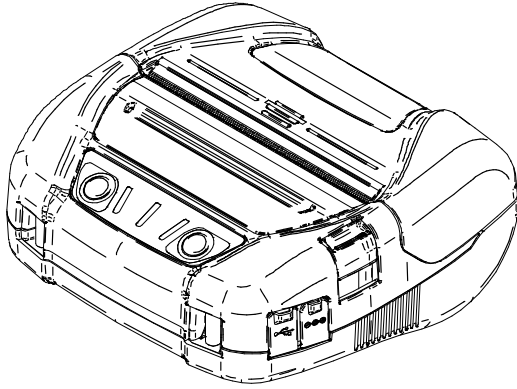
This box contains items that may lead to a malfunction or deterioration of performance when not followed.



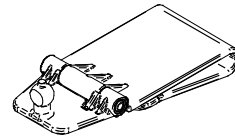
This box contains helpful hints to remember when using the products.

4. PREPARATION

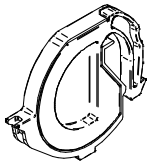
Make sure that the printer and its accessories are contained.
Keep the package and packing materials for future transportation or long-term storage.



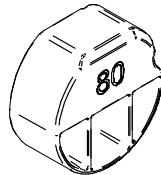
Printer



Belt Clip



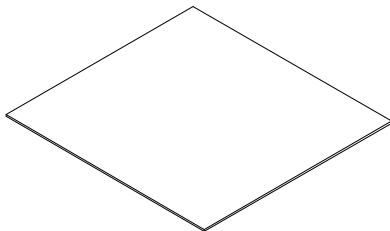
Partition Plate



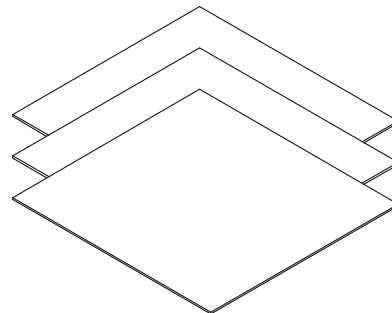
Partition Plate
Attachment 80



Partition Plate
Attachment 100

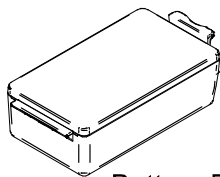


Quick Start Guide (1 sheet)

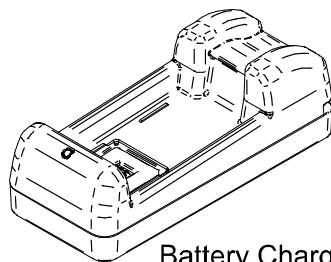


Safety Precautions: 1 set
(3 sheets)

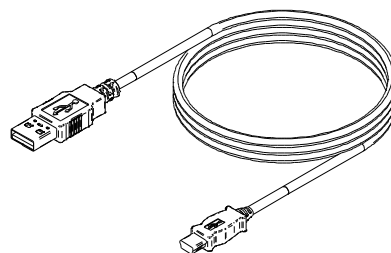
The available accessories are shown below.
See "20. SPECIFICATIONS" and "21. ACCESSORIES AND CONSUMABLE PARTS", and be sure to purchase our specified products listed on these references.



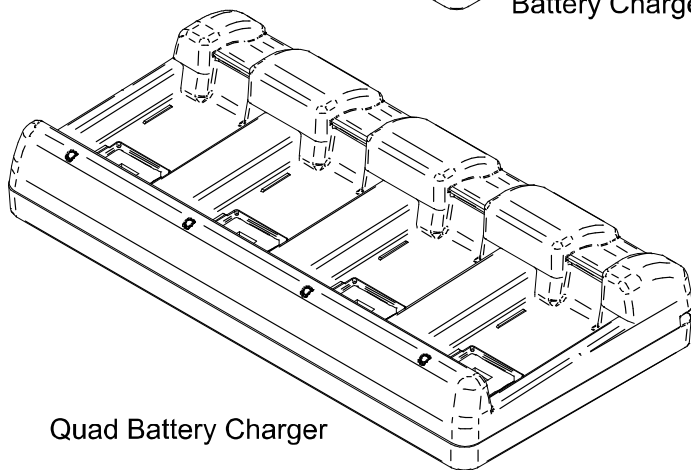
Battery Pack



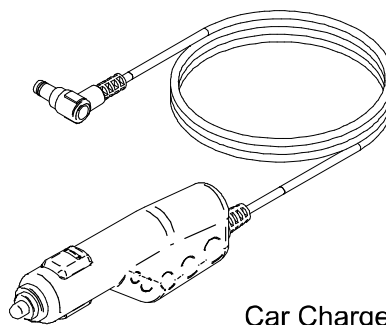
Battery Charger



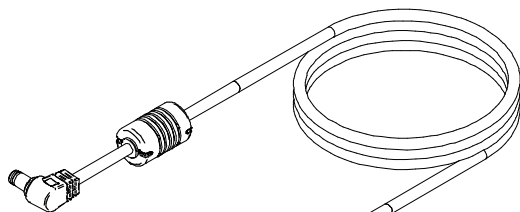
USB Interface Cable



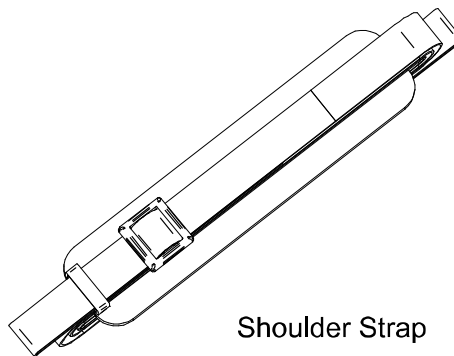
Quad Battery Charger



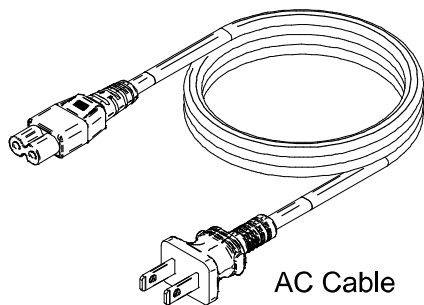
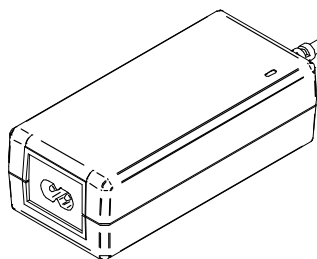
Car Charger



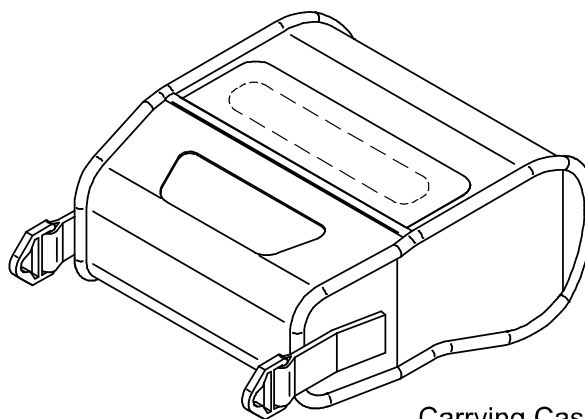
AC Adapter



Shoulder Strap



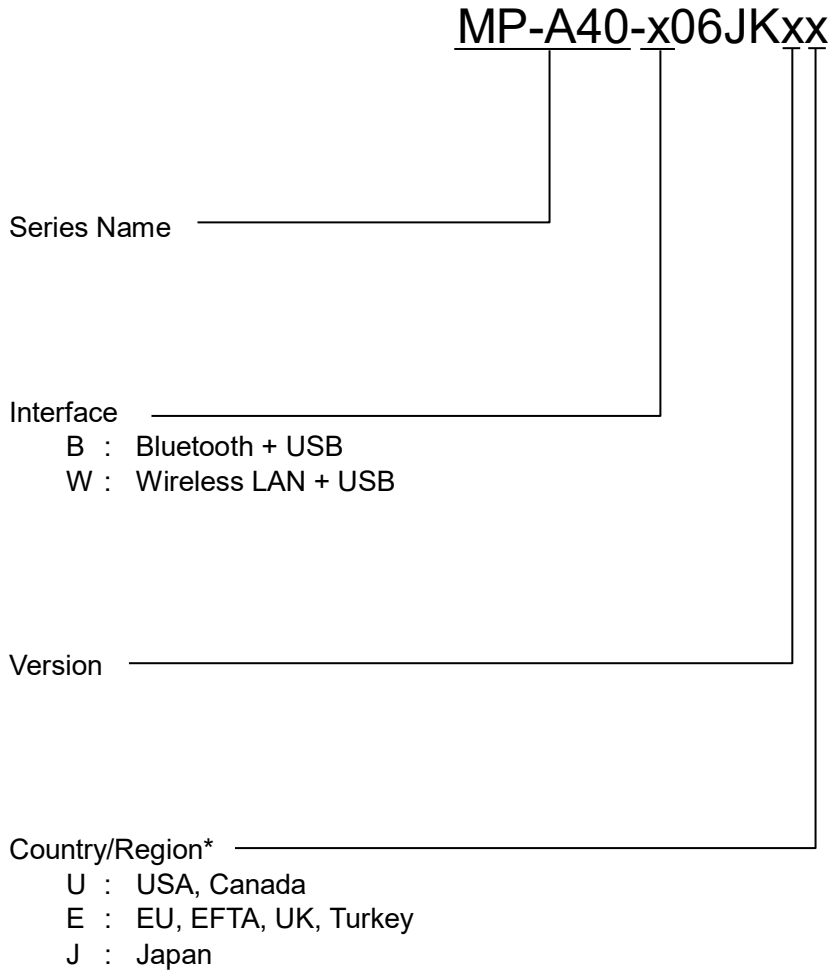
AC Cable



Carrying Case

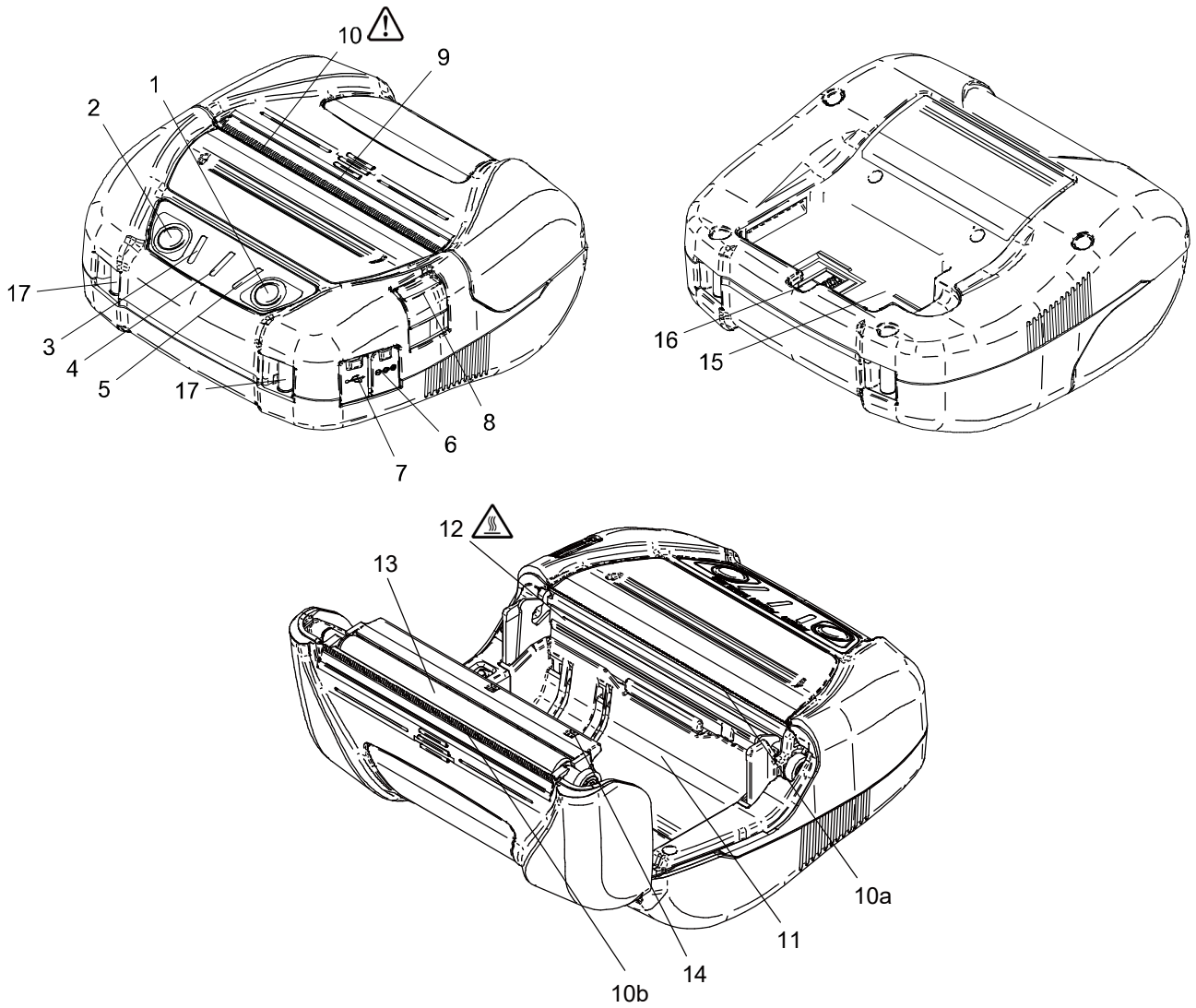
5. IDENTIFYING MODEL TYPE

The printer model is identified as follows:



*: The model with Wireless LAN only.

6. EACH PART OF PRINTER



1 POWER Switch

The POWER Switch turns the power on or off. The POWER LED lights when turning on the power. To turn off the power, hold down the switch for longer than 1 second.

2 FEED Switch

The FEED Switch operates paper feed. When holding down the switch for a few seconds, the printer feeds the thermal paper continuously for the period of held.

In the mark mode, form feed (paper feed until detecting the mark) is performed by pressing this switch once.

3 ERROR LED

The ERROR LED lights when something is wrong with the printer. For more details, see "7. LED INDICATION OF PRINTER".

4 POWER LED

The POWER LED lights when turning on the power. For more details, see "7. LED INDICATION OF PRINTER".

5 WIRELESS LED

The WIRELESS LED indicates the connection states of wireless communication (Bluetooth / Wireless LAN).

For more details, see "7. LED INDICATION OF PRINTER".

6 Power connector

The AC adapter or car charger is connected here. Open the cover and insert the DC plug.

7 USB interface connector

The USB interface cable is connected here. Open the cover and insert the cable.

8 Paper cover open button

The button is for opening the paper cover.

9 Paper cover

The platen is released from the thermal paper when opening this cover. Open this cover when replacing the thermal paper or cleaning the thermal head.

10 Paper outlet

Thermal paper is ejected from here. Two paper cutters are installed: one is on the printer side, and the other is on the paper cover side (10a, 10b).

Be careful not to touch these paper cutters.

11 Paper holder

The paper holder holds the thermal paper.

12 Thermal head

The thermal head prints data on the thermal paper. NEVER touch the thermal head with hands immediately after printing because it may get hot.

13 Platen

The platen brings the thermal paper into contact with the thermal head. The platen rotates to feed the paper.

14 Paper sensor

The sensor detects thermal paper presence or mark.

15 Battery pack compartment

The optional battery pack is installed here.

16 Belt clip installation hole

The belt clip is installed here for carrying the printer.

17 Shoulder strap installation hole

The optional shoulder strap is installed here for carrying the printer.

7. LED INDICATION OF PRINTER

■ LED Indication of Printer

The 3 LEDs of the printer show the printer states.

- ERROR LED and POWER LED : Table 7-1 Printer States
- WIRELESS LED : Table 7-2 Bluetooth / Wireless LAN States Indication

Table 7-1 Printer States

Description	Printer States		ERROR LED		POWER LED	
			Color	Lighting Pattern	Color	Lighting Pattern
Power/Battery states	Power off		-	Off	-	Off
	Power on	Connected to AC adapter only ^{*1} , Battery level1 ^{*2}	Indicates "Error states" ^{*3}	Green	On	
		Battery level2 ^{*2}		Green	Blink-1	
		Battery level3 ^{*2}		Orange	Blink-3	
		Battery level4 ^{*2}		Orange	Blink-4	
		Battery level5 ^{*2}		Red	Blink-1	
		Charging		Orange	On	
		Charging battery temperature error		Red	Blink-3	
		Connected to car charger only ^{*1}		Green	Blink-4	
Error states	Out-of-paper error, Paper jam error while detecting mark, Paper cover open error		Red	On	Indicates "Power / Battery states"	
	Output buffer full		Red	Blink-1		
	Head temperature error, Battery temperature error		Red	Blink-2		
	Voltage error, Battery error		Red	Blink-3		
	Hardware error		Red	Blink-2	Red	Blink-2
Operating mode	Initializing		Red	On	-	Off
	In rewriting firmware mode		Red	Blink-3	-	Off
	Rewriting firmware ^{*4}		Red	Blink-4		Off
	Rewriting FLASH memory ^{*5}		Red	Blink-4	Indicates "Power / Battery states"	
	In function setting mode		-	Off	Red	On

*1: The battery pack is not installed in the printer.

*2: The POWER LED indicates the battery remaining capacity regardless of whether the AC adapter is connected.

*3: Indicates the error states excluding the hardware error.

*4: Since the printer is rewriting the firmware, do not turn it off while this mode is indicated.

*5: Since the printer is rewriting the FLASH memory, do not turn it off while this mode is indicated.

Table 7-2 Bluetooth / Wireless LAN States Indication

Wireless Communication States	WIRELESS LED	
	Color	Lighting Pattern
Wireless off	-	Off
Connecting	Blue	On
Unconnected	Blue	Blink-2
Initializing wireless communication	Blue	Blink-4
In pairing mode*	Blue	Blink-3

*: Only for the model with Bluetooth and when its Inquiry Response in the Function Settings is set to Pairing Mode.

Table 7-3 LED Blink Pattern



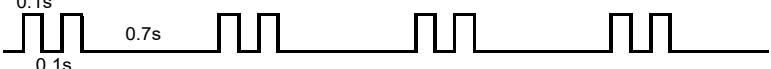

States	Pattern
Blink-1	
Blink-2	
Blink-3	
Blink-4	

Table 7-4 Guide of Battery Remaining Capacity

Battery States	Battery Remaining Capacity
Battery level 1	Approx. 80 %
Battery level 2	Approx. 40 %
Battery level 3	Approx. 10 %
Battery level 4	Need to charge*
Battery level 5	0% (Stop)

*: Charge the battery as soon as possible. Or printing may be stopped depending on print contents.

HINT

- The indicator of battery remaining capacity shown in the POWER LED is for reference. The battery level may be significantly changed depending on the printer operation, so charge the battery pack before the battery becomes low.

■ Error and Recovery Procedure

When an error occurs, the printer stops printing operation. However, the data receiving is enabled. The table below shows errors and their recovery procedures.

Table 7-1 Error and Recovery Procedure

Error	Detail	Recovery Procedure	Priority ^{*1}
Charging battery temperature error ^{*2}	The printer suspends charging because the battery pack temperature is out of the operating temperature range (charging).	The printer automatically resumes charging when the battery temperature is within the operating temperature range (charging). Wait for a while in the place where the ambient temperature is 0°C to 40°C (32°F to 104°F).	-
Connected to car charger only ^{*2} (Battery pack is not installed)	The printer cannot print because the battery pack is not installed.	Install both the battery pack and the car charger. ^{*3}	-
Output buffer full	Output buffer of the printer is full.	Read response data from the host device.	1
Out-of-paper	No thermal paper.	Open the paper cover, load the thermal paper, and then close the paper cover.	2
Paper jam error while detecting mark	The mark cannot be detected.	Use marked paper.	
Paper cover open error	The paper cover is open.	Close the paper cover.	3
Voltage error	The voltage of the AC adapter or car charger is out of the allowable range.	Replace the AC adapter or car charger with a new one.	4
Head temperature error	The thermal head temperature is out of the operating temperature range.	The printer automatically recovers when the thermal head temperature is within the operating temperature range. Wait for a while in the place where the ambient temperature is -20°C to 50°C (-4°F to 122°F).	5
Battery temperature error	The battery pack temperature is out of the operating temperature range (printing).	The printer automatically recovers when the battery temperature is within the operating temperature range (printing). Wait for a while in the place where the ambient temperature is -20°C to 50°C (-4°F to 122°F).	6
Battery error	There is an abnormality in the battery.	Remove the battery pack from the printer and install it again. When the terminals are dirty, clean them using a dry, soft, and lint-free cloth. If the problem is unsolved, replace the battery pack.	7
Hardware error	An abnormality occurs in the thermal head or the circuit board.	Recovery is not possible. Request for repair.	8

*1: This indicates the priority when multiple errors occur simultaneously. The bigger number indicates higher priority.

For example, when "Output buffer full" and "Out-of-paper" occur simultaneously, the LED indicates "Out-of-paper" which has the higher priority.

*2: When "Charging battery temperature error" or "Connected to car charger only" occurs, the error is indicated by the POWER LED. If the error occurs simultaneously with another error, the errors are shown by POWER LED and ERROR LED respectively.

*3: The car charger is only for charging. Connect according to "Charging from Printer and Car Charger" in "16. CHARGING FROM CAR CHARGER".

8. POWER CONNECTION

There are 2 ways to supply power to the printer; from the battery pack or the AC adapter. While supplying power from the AC adapter, the printer can print without the battery pack. The AC cable is required for using the AC adapter.

The car charger is only for charging. Even if the car charger is connected to the printer, the printer cannot print without the battery pack.

Be sure to see "16. CHARGING FROM CAR CHARGER" for connecting the car charger.

The battery pack, the AC adapter, the AC cable, and the car charger are optional accessories.

See "20. SPECIFICATIONS" and "21. ACCESSORIES AND CONSUMABLE PARTS", and be sure to purchase our specified products listed on these references. The available battery pack differs depending on printer models. Make sure to confirm the details.

■ Installing/Removing Battery Pack

NOTE

- ◆ Make sure to turn off the printer when installing/removing the battery pack.
- ◆ If the battery pack is removed during saving the registration data by registration command or settings by function setting command, the data may be lost.
- ◆ When the printer is not used for a long time, remove the battery pack from the printer.
- ◆ See "2. SAFETY PRECAUTIONS" and "3. OPERATING PRECAUTIONS" for the precautions of the battery pack.

Installing Battery Pack

The battery pack is installed to the printer in the direction as shown in Figure 8-1. The battery pack cannot be inserted in the wrong direction.

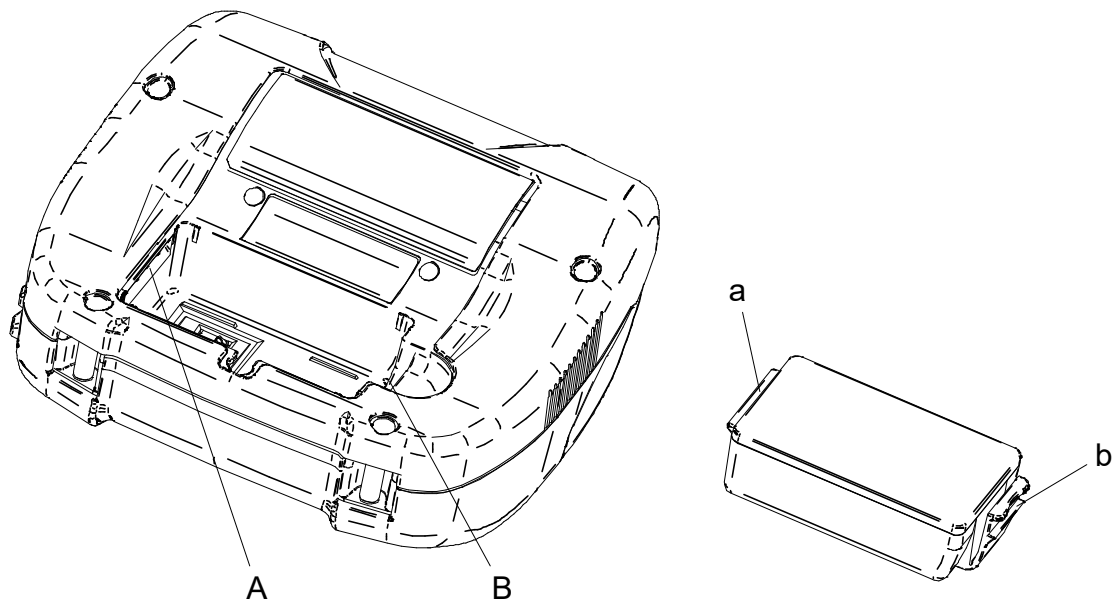


Figure 8-1 Installing Battery Pack (1)

- (1) Ensure that the power of the printer is off.
- (2) Insert the tab "a" of the battery pack into the groove "A" of the printer.

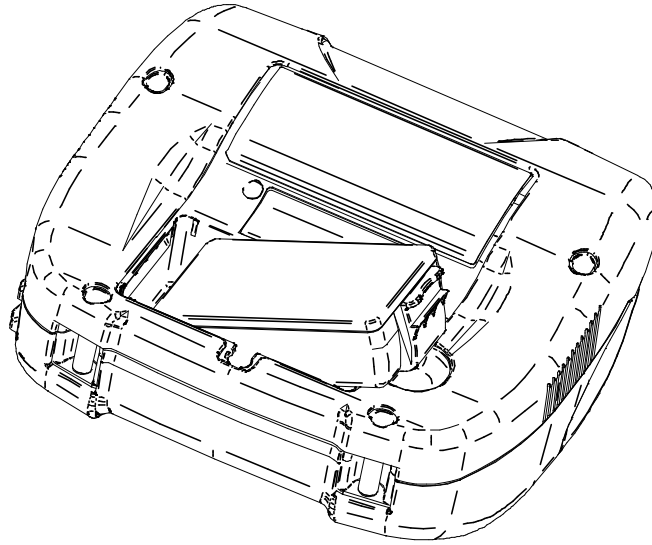


Figure 8-2 Installing Battery Pack (2)

- (3) Press the battery pack in the direction of the arrow in Figure 8-3 until the tab "b" of the battery pack locks into the groove "B" of the printer.

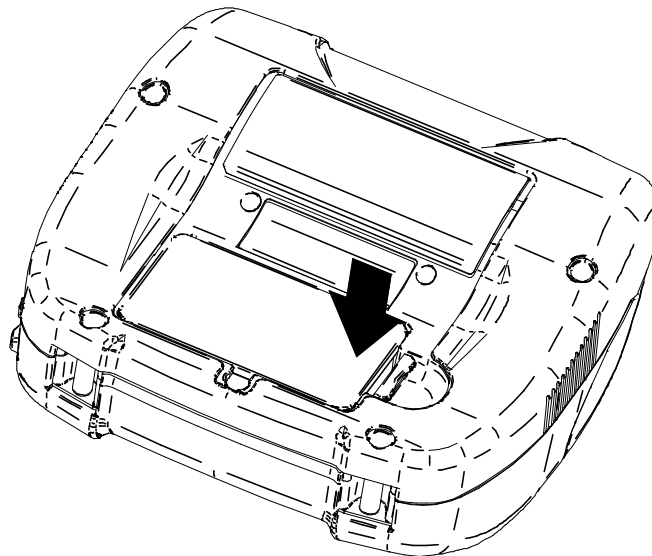


Figure 8-3 Installing Battery Pack (3)

- (4) Make sure that the battery pack is installed in the printer correctly.
 - Ensure the tab "a" of the battery pack is inserted under the groove "A" of the printer.
 - Ensure the tab "b" of the battery pack is locked in the groove "B" of the printer.

Removing the Battery Pack

- (1) Turn off the printer.
- (2) As shown in Figure 8-4, pressing the lever "c" of the battery pack in the direction of the arrow 1, remove it by pulling up in the direction of the arrow 2.

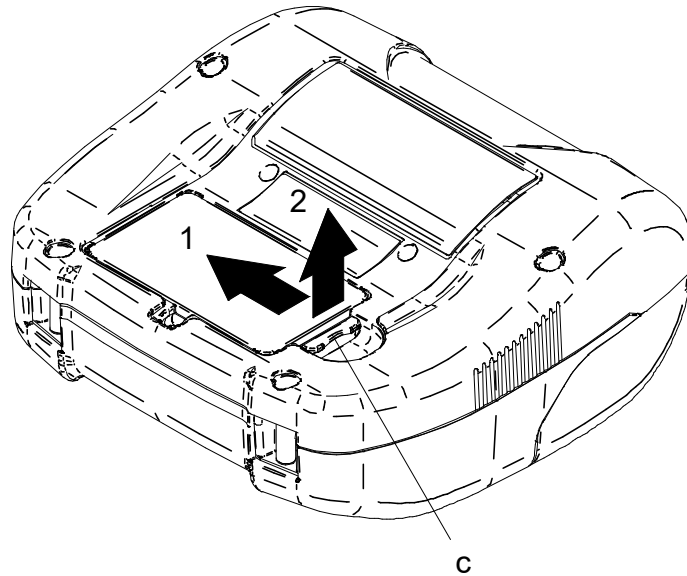


Figure 8-4 Removing Battery Pack

HINT

- The battery pack may get hot when in use. This is normal and not a malfunction.
- If the usable time of the battery pack has become shorter significantly, the battery is at the end of life. Please purchase a new battery pack.
- When the battery pack is used at low temperature, the usable operating time of the printer may be shortened.
- The battery may deteriorate even if not used.
- When Auto Power Off Setting is set to Enable, the printer is automatically turned off after not operated for the set time, and this can prevent the useless consumption of the battery. For details, see "11. FUNCTION SETTINGS".
- Dispose the used or unnecessary batteries according to local regulations.

■ Connecting AC Adapter to Printer

- (1) Turn off the printer.
- (2) Connect the AC cable to the AC adapter.
- (3) Connect the DC plug of the AC adapter to the power connector of the printer.
- (4) Connect the AC plug of the AC cable to an outlet. Then, the LED of the AC adapter lights up green.

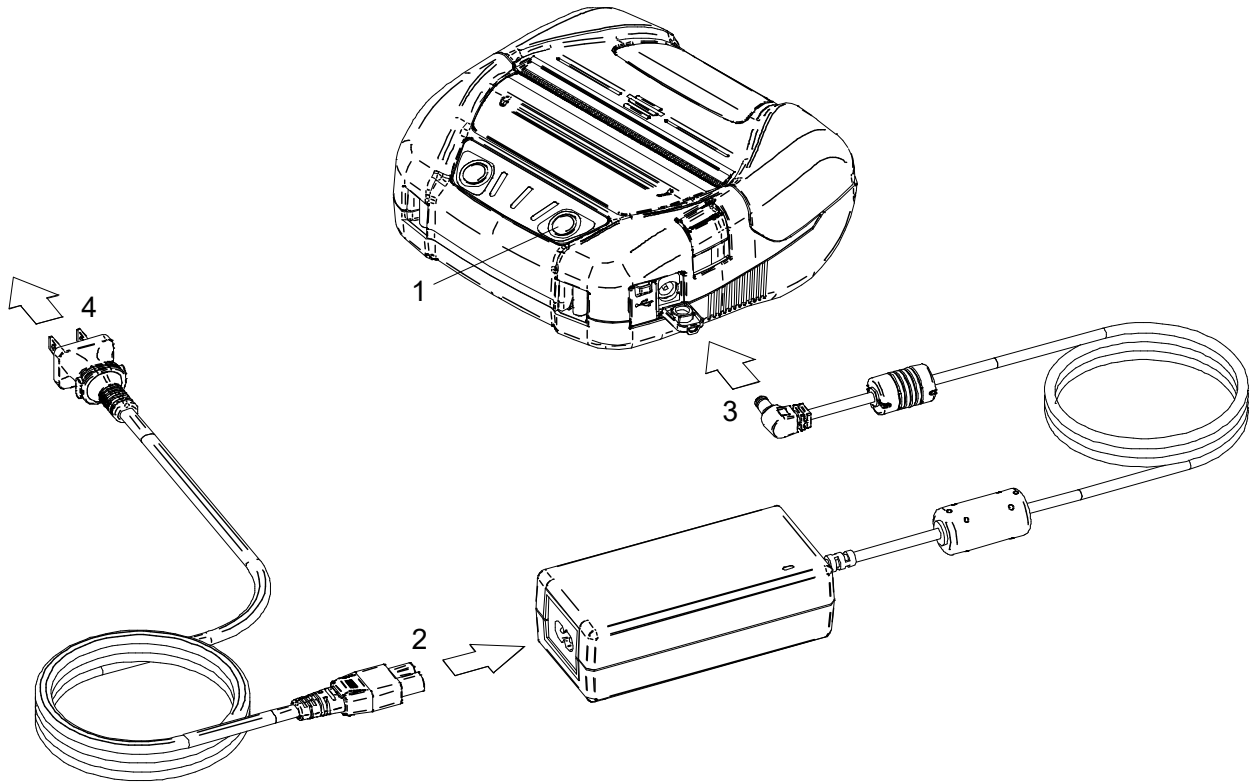


Figure 8-5 Connecting AC Adapter to Printer

NOTE

- ◆ Turn off the printer before installing/removing the AC adapter.
- ◆ When the printer is not used for a long time, unplug the AC cable from an outlet.

HINT

- Once Auto Activation by AC is enabled, the printer is automatically turned on by inserting the AC plug of the AC cable into an outlet. For details, see "11. FUNCTION SETTINGS".
- Once Auto Deactivation by AC is enabled, the printer is automatically turned off by unplugging the AC plug of the AC cable from an outlet even if the battery pack is installed. For details, see "11 FUNCTION SETTINGS".
- The AC adapter may get hot when in use. This is normal and not a malfunction.

9. LOADING THERMAL PAPER

The printer uses the thermal paper roll (hereinafter referred to as "thermal paper").

Use the thermal paper with printable surface rolled outwards.

Four types of the thermal paper width can be used in the printer. For setting the paper width, see "13. PAPER WIDTH SETTING".

And, the function settings of the printer differ depending on the thermal paper. See "11. FUNCTION SETTINGS" for details.

■ How to Load Thermal Paper

- (1) Press the paper cover open button in the direction of the arrow shown in Figure 9-1, and open the paper cover.

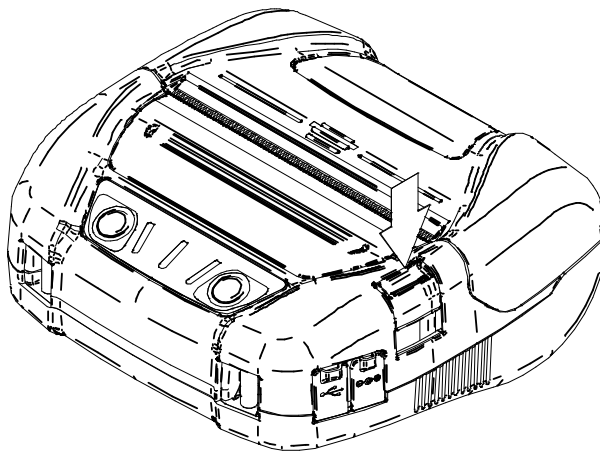


Figure 9-1 Paper Cover Open Button

NOTE

- ◆ Press the paper cover open button to the end.
If not, the paper cover may not open.

- (2) Load the thermal paper into the paper holder with its printing surface facing to the thermal head. If the setting direction is wrong, the printer cannot print.

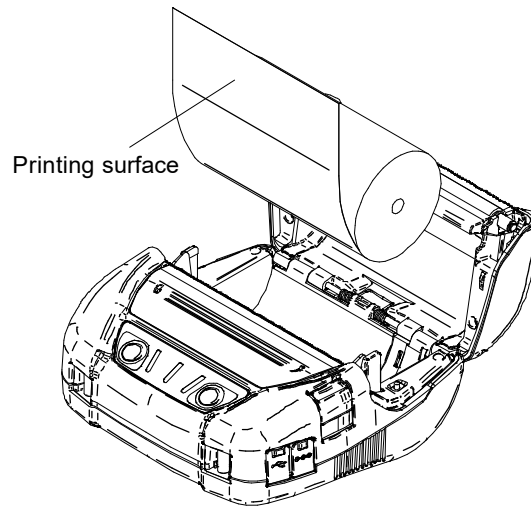
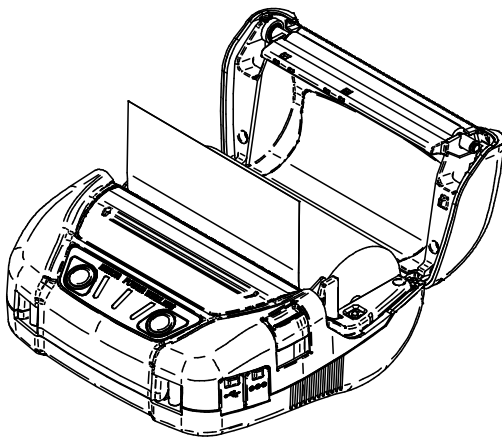


Figure 9-2 Thermal Paper Setting Direction

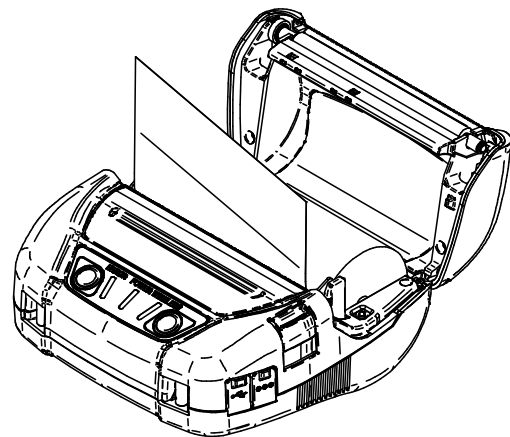
NOTE

- ◆ The printer has 2 paper cutters on the paper outlet: one is on the printer side, and the other is on the paper cover side. Be careful not to cut your fingers by the paper cutters when loading the thermal paper.
- ◆ NEVER touch the thermal head immediately after printing because it may get hot.
- ◆ DO NOT touch the gear of the platen and/or the gear of the printer. Doing so may cause loss of printing quality or damage.

- (3) Pull the thermal paper straight until the tip of the thermal paper appears 5 cm or longer from the paper outlet. Make sure that the thermal paper does not slant.



CORRECT



INCORRECT

Figure 9-3 Thermal Paper Setting Direction Example

NOTE

- ◆ If the thermal paper is loaded into the paper holder at an angle, the thermal paper may not be ejected straight. If so, load the thermal paper correctly.

- (4) Push firmly the center of the paper cover (the arrow in Figure 9-4) to close the paper cover.

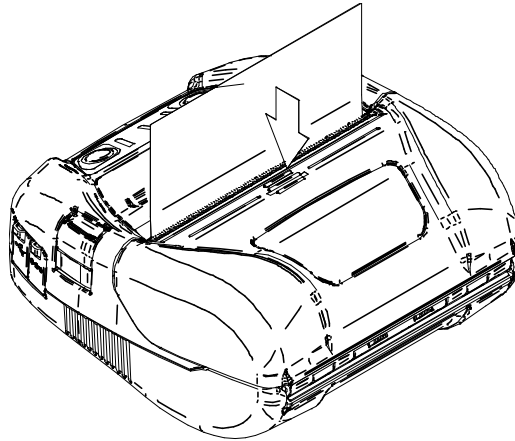


Figure 9-4 Paper Cover

NOTE

- ◆ If the paper cover is not completely closed, the ERROR LED indicates "Paper cover open error" when turning on the printer. In that case, open and close the paper cover again.
- ◆ When the paper cover is closed, the top of thermal paper may be colored because of the friction with a part of the printer. In that case, feed the thermal paper a few centimeters and cut the top of the colored thermal paper before starting printing.

- (5) When using the marked paper, press the FEED Switch once to feed the paper to the home position. In this case, the mark mode setting is needed. See "2.1.8 Mark (Paper) Sensor Specifications" in "MP-A40 SERIES THERMAL PRINTER TECHNICAL REFERENCE" for details of the mark mode setting, paper position or specifications.

NOTE

- ◆ DO NOT cover the paper outlet or hold down the thermal paper ejected. Doing so may cause a paper jam.

HINT

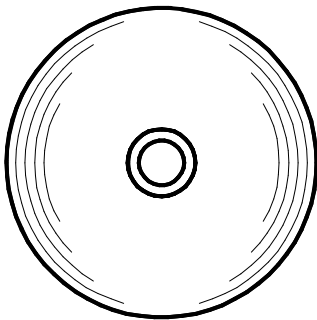
- Leaving the printer with the thermal paper for a long time may cause a paper-feeding problem because the surface of the thermal paper sticks to the thermal head due to the environmental changes. In that case, open the paper cover to separate the thermal paper from the thermal head, and then close the paper cover before use.

■ Thermal Paper Shape

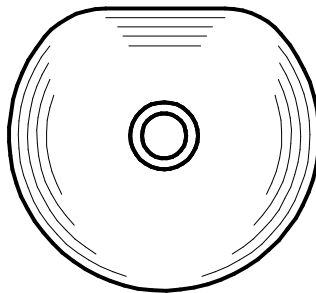
Always use the specified thermal paper. See "21. ACCESSORIES AND CONSUMABLE PARTS" for details.

NOTE

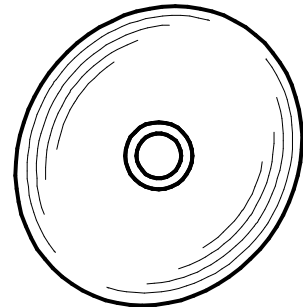
- ◆ Use the thermal paper whose maximum diameter is ϕ 58 mm or less.
- ◆ Use the thermal paper whose maximum width is equal or less than +0.5 mm including winding deviation.
- ◆ DO NOT use the thermal paper whose end is glued or taped.
- ◆ Use the thermal paper whose inner diameter of the core is ϕ 12 mm or more for receipt sheet and ϕ 18 mm or more for label sheet.



CORRECT



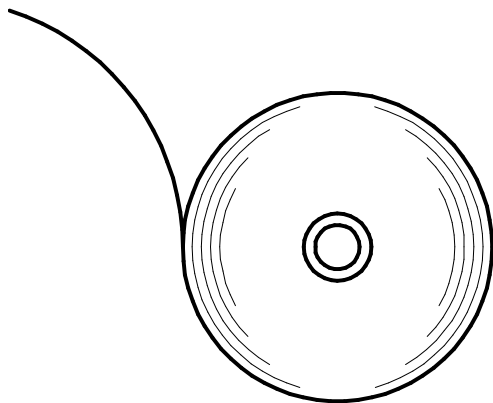
INCORRECT



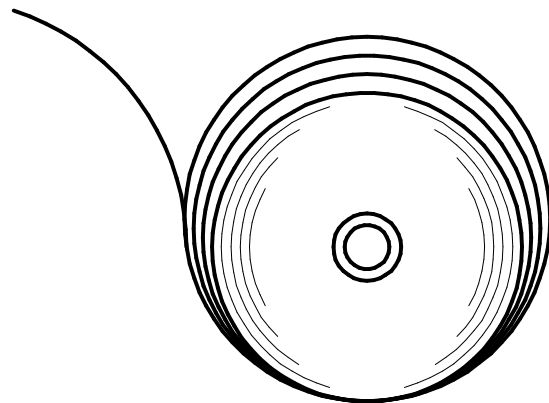
INCORRECT

NOTE

- ◆ DO NOT use deformed thermal paper. Doing so may cause the printer damaged.



CORRECT



INCORRECT

NOTE

- ◆ In the case of using loosened thermal paper roll, rewind the roll before using it.

10. TEST PRINT

The printer can perform a test print.

In the test print, the firmware version, setting values of function settings, etc. are printed.

■ Test Print Procedure : Model with Bluetooth

- (1) Load the thermal paper in the printer as instructed in "9. LOADING THERMAL PAPER". Ensure that no error occurs, and then turn off the printer.
- (2) Hold the FEED Switch down and press the POWER Switch, then release the POWER Switch. Release the FEED Switch when the test print has been started.

```

Thermal Printer
MP-A40 [ Ver X.XX.XX ]
DD,MMM,YYYY
Copyright (C):SII

* MS1 *
1) Interface:USB/Wireless
2) Mark Mode:Disable
3-5)Command System:ESC/POS
6) Error Through:Enable
7) Auto Activation by AC:Disable
8) Response Data Discarding:Disable

* MS2 *
1) Paper Set Handle:None
2) Realtime Command:Enable
3-4)Print Quality:Standard
5-6)LED Brightness:Level 4
8) Auto Deactivation by AC:Disable

* MS3 *
1-6)Paper Width:112[mm]

* MS4 *
1-8)Print Density:100[%]

* MS5 *
1-8)Thermal Paper:TF50KS-E2D

* MS7-8 *
Auto Power Off Time:0[sec]

* MS9 *
1) Auto Status Back (ESC/POS) :Enable
2) Init. Response(ESC/POS) :Enable

* MS10 *
1) Auto Status Back (HTML) :Disable
2) Init. Response(HTML) :Disable

* MS13 *
1) Kanji Code:JIS Code
2) Reverse Function:Disable

* USB Communication *
USB Device Class:Printer

* Bluetooth Communication *
Printer Name: MP-A40
Address: XX:XX:XX:XX:XX:XX
Profile: SPP
Auto Connection: Disable
Inquiry Response: Pairing Mode

* Font Information *
JIS X 0208-1997 Font Exist
Gaiji Font enable
Down-load Font enable
Character Code Table:Code Page 437
International Character:USA

* Serial Number Information *
XXXXXXXXXX
████████████████████████████████████████████████████████████████████████████████
    
```

Figure 10-1
Test Print Example (Model with Bluetooth)

```

* Bluetooth Communication *
Printer Name: MP-A40
Address: XX:XX:XX:XX:XX:XX
Profile: SPP
Auto Connection: Disable
Inquiry Response: Pairing Mode
    
```

Figure 10-2
Bluetooth Information Print Example

Table 10-1
Bluetooth Information

Item	Description
Printer Name	Printer Name
Address	Bluetooth Address
Profile	Selected Profile
Auto Connection	iOS Auto Connection
Inquiry Response	Selected Searching Mode

- (3) A message of mode selection is printed as shown in Figure 10-3 when the test print has completed. To return to the print-ready states, select "0 : Normal Mode". (Press the POWER Switch without pressing the FEED Switch.)
To select other modes, press the FEED Switch for the number of times corresponding to the selected mode number, and then press the POWER Switch.

```
[Mode Select]
0 : Normal Mode
1 : Setting Mode
2 : Wireless ON/OFF Mode
3 : Hex Dump Mode
Press the FEED switch an equal
number of times to the selected number.
After that, press the POWER SW.
```

Figure 10-3 Mode Selection Message (Model with Bluetooth)

■ Test Print Procedure: Model with Wireless LAN

- (1) Load the thermal paper in the printer as instructed in "9. THERMAL PAPER SETTING". Ensure that no error occurs, and then turn off the printer.
- (2) Hold the FEED Switch down and press the POWER Switch, then release the POWER Switch. Release the FEED Switch when the test print has been started.

```
Thermal Printer
MP-A40 [ Ver X.XX.XX ]
DD, MMM, YYYY
Copyright (C):SII

* MS1 *
1) Interface:USB/Wireless
2) Mark Mode:Disable
3-5) Command System:ESC/POS
6) Error Through:Enable
7) Auto Activation by AC:Disable
8) Response Data Discarding:Disable

* MS2 *
1) Paper Set Handle:None
2) Realtime Command:Enable
3-4) Print Quality:Standard
5-6) LED Brightness:Level 4
8) Auto Deactivation by AC:Disable

* MS3 *
1-6) Paper Width:112[mm]

* MS4 *
1-8) Print Density:100[%]

* MS5 *
1-8) Thermal Paper:TF50KS-E2D

* MS7-8 *
Auto Power Off Time:0[sec]

* MS9 *
1) Auto Status Back (ESC/POS):Enable
2) Init. Response(ESC/POS):Enable

* MS10 *
1) Auto Status Back (HTML):Disable
2) Init. Response(HTML):Disable

* MS13 *
1) Kanji Code:JIS Code
2) Reverse Function:Disable

* USB Communication *
USB Device Class:Printer

* Font Information *
JIS X 0208-1997 Font Exist
Gaiji Font enable
Down-load Font enable
Character Code Table:Code Page 437
International Character:USA

* Serial Number Information *
XXXXXXXXXX
XXXXXXXXXXXXXXXXXXXXXXXXXXXXXXXXXXXX
```

Figure 10-4 Test Print Example (Model with Wireless LAN)

- (3) A message of mode selection is printed as shown in Figure 10-5 when the test print has completed. To print Wireless LAN information, select "4 : Print WLAN Information". (Press the FEED Switch 4 times, and then press the POWER Switch.)
The printer starts preparation for printing Wireless LAN information.

```
[Mode Select]
0 : Normal Mode
1 : Setting Mode
2 : Wireless ON/OFF Mode
3 : Hex Dump Mode
4 : Print WLAN Information
Press the FEED switch an equal
number of times to the selected number.
After that, press the POWER SW.
```

Figure 10-5 Mode Selection Message (Model with Wireless LAN)

- (4) It takes about 15 to 30 seconds to start printing Wireless LAN information. Meanwhile, Getting Wireless LAN Information Message in Figure 10-6 is printed. Please wait for a while.

```
Getting WLAN information. Please wait...
```

Figure 10-6 Getting Wireless LAN Information Message

After getting Wireless LAN information, Wireless LAN information is printed as an example shown in Figure 10-7.

```

* WLAN Communication *
Mode:           Simple AP
Radio:          802.11b/g/n
Country:        US
Channel:        Auto
SSID:           SII-Printer
Security:       None
DHCP Server:    Enable
MAC Address:    XX:XX:XX:XX:XX:XX
IP Address:     192.168.0.1
Subnet Mask:    255.255.255.0
Gateway Address: 0.0.0.0
Module Ver.:   01.XX.XX
  
```

Figure 10-7 Wireless LAN Information Example

Table 10-2 Wireless LAN Communication Information

Item	Description
Mode	Selected Wireless LAN Operation Mode
Radio	Selected Wireless LAN Standard
Country	US: USA, Canada JP: Japan EU: EU, EFTA, UK, Turkey
Channel	Selected Channel
SSID	SSID Setting
Security	Selected Security
DHCP Server	Selected DHCP Server (in Simple AP Mode)
DHCP Client	Selected DHCP Client Mode (in Client Mode)
MAC Address	MAC Address
IP Address	IP Address*
Subnet Mask	Subnet Mask*
Gateway Address	Gateway Address*

*: When Wireless LAN Mode is set to Client Mode, IP address, subnet mask and gateway address obtained from the DHCP server are printed. While waiting for getting information from the DHCP server, the information is printed as "---,---,---,---". In case of DHCP timeout, the setting value is used and printed.

- (5) After the Wireless LAN information printing, the mode selection message is printed as shown in Figure 10-5.
To return to the print-ready states, select "0 : Normal Mode". (Press the POWER Switch without pressing the FEED Switch.)
To select other modes, press the FEED Switch for the number of times corresponding to the selected mode number, and then press the POWER Switch.

11. FUNCTION SETTINGS

The printer can set various functions according to use conditions and intended use.

The setting contents are stored in the Memory Switch (hereinafter referred to as "MS") in the FLASH memory mounted in the printer, and it is possible to set MS by using the switches, the software, or command input.

This section describes the setting procedure by using the switches.

See "22. MS SETTINGS LIST" for the MS setting contents.

NOTE

- ◆ Be sure to set the value as instructed when "Fixed" is stated for 0 or 1 in the table. Otherwise, the printer may not work correctly or may crash.

HINT

- When neither switch is pressed within 30 seconds after the message is printed, the printer exits the Setting Mode and returns to the print-ready state.
- The memory switch can also be set from software. Download software from the download page listed on the rear cover.
The following software can be set.
 - For Windows:
"Memory Switch" in the "Tool" that can be started from the property in the printer driver.
 - For iOS and Android:
App "SII Printer Utility" provided by App Store or Google Play.

■ Procedure for Setting Functions Using Switches

To set the functions using the switches, set the printer in the Setting Mode.

To enter the Setting Mode, follow the procedure below.

- (1) Load the thermal paper in the printer as instructed in "9. LOADING THERMAL PAPER". Ensure that no error occurs, and then turn off the printer.
See "7. LED INDICATION OF PRINTER" for the error state.
- (2) Hold the FEED Switch down and press the POWER Switch, then release the POWER Switch. Release the FEED Switch when the test print has been started.
- (3) A message of mode selection is printed as shown in Figure 11-1 when the test print has completed. To enter the Setting Mode, select "1 : Setting Mode". (Press the FEED Switch once, and then press the POWER Switch.)

```
[Mode Select]
0 : Normal Mode
1 : Setting Mode
2 : Wireless ON/OFF Mode
3 : Hex Dump Mode
4 : Print WLAN Information
Press the FEED switch an equal
number of times to the selected number.
After that, press the POWER SW.
```

- "4 : Print WLAN Information" is printed only for the model with Wireless LAN.
- When pressing the FEED Switch once, "1 : Setting Mode" is selected.
- When pressing the POWER Switch without pressing the FEED Switch, "0 : Normal Mode" is selected.

Figure 11-1 Mode Selection Message

- (4) A message for selecting MS to be set is printed as shown in Figure 11-2 when the printer enters the Setting Mode.
Press the FEED Switch the number of times corresponding to the selected MS number, and then press the POWER Switch.

```
[MS Selection]
0 : Exit
1 : MS1
2 : MS2
3 : MS3
4 : MS4
5 : MS5
6 : MS7,8
7 : MS9
8 : MS10
9 : MS13
10: I/F Setting
11: USB Setting
12: International Character
13: Character Code Table
14: Default Setting
Press the FEED switch an equal
number of times to the selected number.
After that, press the POWER SW.
```

- When pressing the FEED Switch once, "1 : MS1" is selected.
- When pressing the POWER Switch without pressing the FEED Switch, "0: Exit" is selected.
- "10: I/F Setting" is printed for model with Bluetooth only. Select this to set Bluetooth connection.

Figure 11-2 MS Selection Message

- (5) A message for selecting the functions assigned to the selected MS is printed as an example shown in Figure 11-3.
Press the FEED Switch the number of times corresponding to the selected function number, and then press the POWER Switch.

```
[Function selection of MS1]
0 : Return to MS selection
1 : Interface
2 : Mark Mode
3 : Command System
4 : Error Through
5 : Auto Activation by AC
6 : Response Data Discarding
Press the FEED switch an equal
number of times to the selected number.
After that, press the POWER SW.
```

- When pressing the FEED Switch 3 times, "3 : Command System" is selected.
- When pressing the POWER Switch without pressing the FEED Switch, "0 : Return to MS Selection" is selected.

**Figure 11-3 Function Selection Message
(Example: Selected MS1)**

- (6) A message for selecting the setting value of the selected function is printed as an example shown in Figure 11-4.
Press the FEED Switch the number of times corresponding to the selected setting value number, and then press the POWER Switch.

```
[Command System]
0 : Return to function selection
1 : ESC/POS
2 : HTML
3 : CPCL
Press the FEED switch an equal
number of times to the selected number.
After that, press the POWER SW.
```

- When pressing the FEED Switch once, "1 : ESC/POS" is selected.

**Figure 11-4 Setting Value Selection Message
(Example: Selected Command System)**

- (7) A message for confirming the selected setting value is printed as an example shown in Figure 11-5.

```
[Command System]
Set ESC/POS
Save setting : Feed SW
Discard setting : Power SW
```

**Figure 11-5 Setting Value Confirmation Message
(Example: Selected ESC/POS)**

To save the setting value to the memory, press the FEED Switch. Figure 11-2 MS Selection Message is printed.

To discard the selected item, press the POWER Switch. Function Selection Message is printed as an example shown in Figure 11-3. If select "0 Return to MS Selection", function selection is not performed, and Figure 11-2 MS Selection Message is printed. (Press the POWER Switch without pressing the FEED Switch.)

To continue to set functions, return to (4).

- (8) To exit the Setting Mode, select "0 : Exit" in Figure 11-2 MS Selection Message. (Press the POWER Switch without pressing the FEED Switch.)
The test print and Figure 11-1 Mode Selection Message printing start again. Verify that the functions are properly set.

To return to the print-ready states, select "0 : Normal Mode" in Mode Selection Message. (Press the POWER Switch without pressing the FEED Switch.)

To set functions again, return to (3).

12. CONNECTING TO HOST DEVICE

The printer supports USB communication and Bluetooth communication or Wireless LAN communication.

Select the model with Bluetooth or model with Wireless LAN depending on the communication method to use.

- Model with Bluetooth (MP-A40-Bxxxxxx) : Bluetooth + USB
- Model with Wireless LAN (MP-A40-Wxxxxxx): Wireless LAN + USB

The function settings of the printer differ depending on the communication method to use. See "MP-A40 SERIES THERMAL PRINTER TECHNICAL REFERENCE" for details.

An optional USB interface cable is required to perform USB communication.
See "20. SPECIFICATIONS" for details of the interface specifications.

The communication speed may be decreased depending on processing by software or print contents.

Wireless communication is required to be disabled in places where its use is prohibited.

To switch wireless on/off, press the POWER Switch 3 times within 3 seconds while the power is on.

The WIRELESS LED lights or blinks when wireless communication is enabled.

The WIRELESS LED lights off when wireless communication is disabled.

■ USB Communication

- (1) Ensure that the power of the printer is off.
- (2) Connect the USB interface cable to the USB interface connector of the printer.
- (3) Turn on the printer, and send data from the host device to the printer.
- (4) Verify that the data is printed correctly.

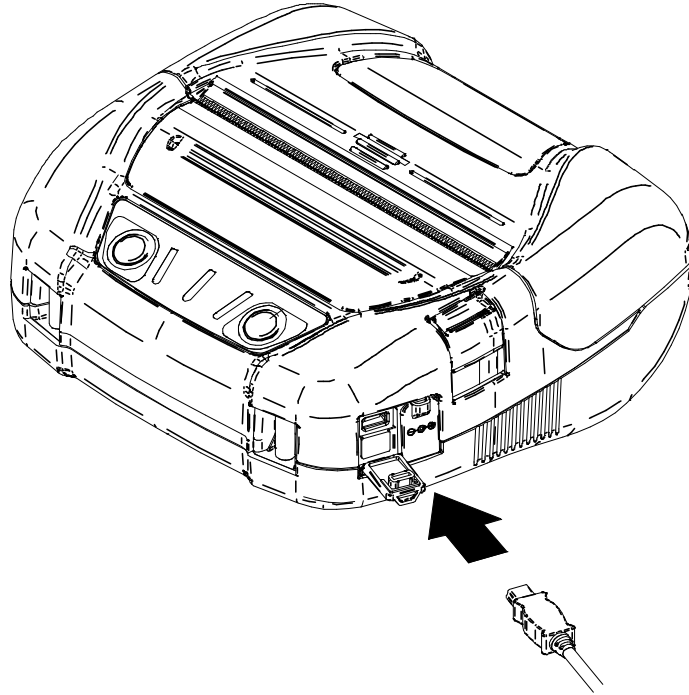


Figure 12-1 Interface Cable for USB Communication

NOTE

- ◆ When connecting the USB interface cable to the USB interface connector, push the plug to the end.
- ◆ When connecting or disconnecting the interface cable, hold the connector, not the cable.

■ Bluetooth Communication

- (1) When the USB interface cable is connected to the printer, disconnect it from the printer.
- (2) Turn on the printer and pair it with the host device.
In the factory shipment state, the printer enters pairing mode for about 60 seconds by pushing the power switch for 7 seconds or more. When the pairing mode starts, the WIRELESS LED blinks twice per second. During this time, pair the printer with the host device.
Pairing is conducted by SSP (Simple Secure Pairing), however, PIN code is used when the host device does not support SSP. The PIN code is "0000" at the shipping.
- (3) Conduct Bluetooth connection with the host device.
After the Bluetooth connection is established, the WIRELESS LED lights up.
- (4) Check the communication states on the host device.
- (5) Send data from the host device, and verify that the data is printed correctly.



WARNING

- ◆ The printer may affect medical or other electronic devices. Obtain information and data concerning influence due to radio interference from the respective manufacturers or dealers.
- ◆ When using the printer in medical institutions, follow their guidelines.
- ◆ DO NOT use the printer in any area or district where its use is prohibited.

HINT

- The distance of communication is approximately 10 m. However, the distance may differ depending on the radio interference and environment.
- When the printer is connected from an iPhone or iPad by Bluetooth, "SPP/iAP2" should be set to "iAP2". When connected from an Android terminal or PC, "SPP/iAP2" should be set to "SPP".
- The setting is "SPP" at the shipping.
- To switch SPP/iAP2, press the POWER Switch 5 times within 3 seconds while the power is on.

■ Wireless LAN Communication

- (1) When the USB interface cable is connected to the printer, disconnect it from the printer.
- (2) Turn on the printer and connect it to the host device by wireless communication.
In the factory shipment state, the function settings are as follows:
Mode : Simple AP (simple access point)
Communication Standard : IEEE802.11b/g/n (2.4GHz frequency range)
SSID : SII-Printer
Security : None
DHCP Server : Enable
Printer IP address : 192.168.0.1
- (3) View the page "http://192.168.0.1" from the Web browser.
The printer setting screen is displayed. Make necessary settings.
These settings are enabled after rebooting.
- (4) Check the communication states on the host device.
- (5) Send data from the host device, and verify that the data is printed correctly.



WARNING

- ◆ The printer may affect medical or other electronic devices. Obtain information and data concerning influence due to radio interference from the respective manufacturers or dealers.
- ◆ When using the printer in medical institutions, follow their guidelines.
- ◆ DO NOT use the printer in any area or district where its use is prohibited.

13. PAPER WIDTH SETTING

The printer can use thermal paper of 105 mm, 100 mm, and 80 mm in width by installing the partition plate and partition plate attachments included with the printer.

The partition plate attachment (hereinafter referred to as attachment) has 2 types.

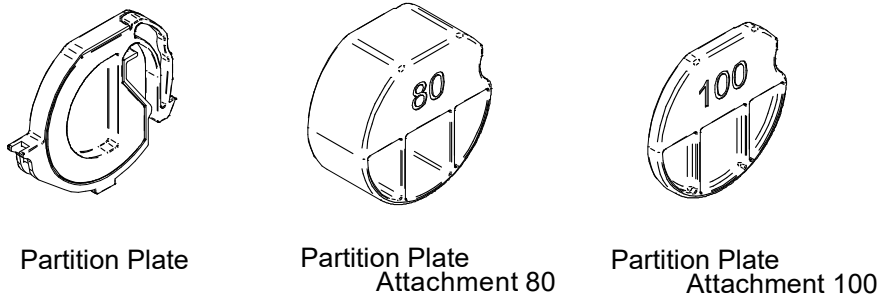


Figure 13-1 Partition Plate and Attachments

In accordance with the thermal paper width, install the partition plate and each attachment to the printer. Table 13-1 below shows the combination of the partition and attachment. See Figure 13-2 for the installing position of the partition plate and attachment at each paper width.

Table 13-1 Partition Plate and Attachment Combination List

	Thermal Paper Width			
	112 mm	105 mm	100 mm	80 mm
Partition Plate	-	✓	✓	✓
Partition Plate Attachment 100	-	-	✓	-
Partition Plate Attachment 80	-	-	-	✓
Partition Plate Position (Figure 13-2)	-	p1	p2	p3

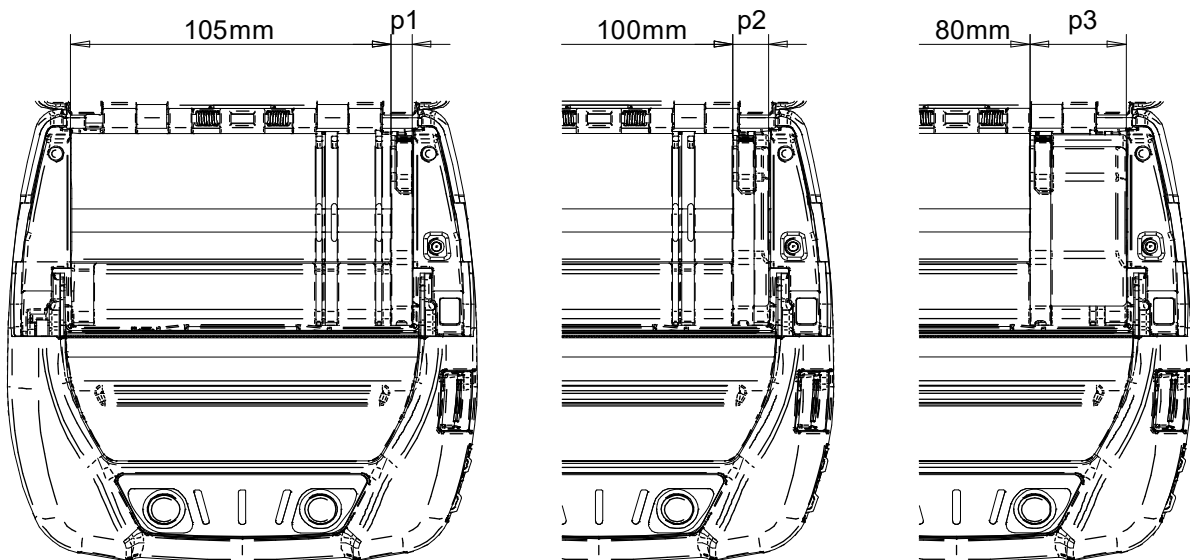


Figure 13-2 Partition Plate and Attachment Position

■ Installing Partition Plate

This section describes how to install the partition plate and attachment for 80 mm paper width.

- (1) Turn off the printer.
- (2) Remove the battery pack from the printer. When the AC adapter is connected, unplug the AC plug of the AC cable from an outlet.
- (3) Press the paper cover open button to open the paper cover.
- (4) Combine the part "D" of the partition plate with the part "d" of Attachment 80 as shown in Figure 13-3.

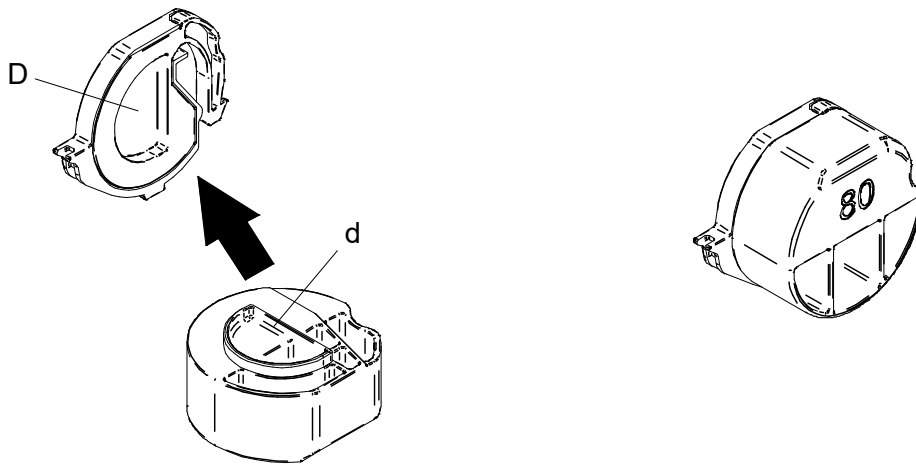


Figure 13-3 Combining Partition Plate with Attachment

- (5) Fix the tabs "e", "f", and "g" of the partition plate to the grooves "E", "F", and "G" of the printer by the following procedure 1 to 3.
The printer has the same-shaped grooves by each of the paper width.

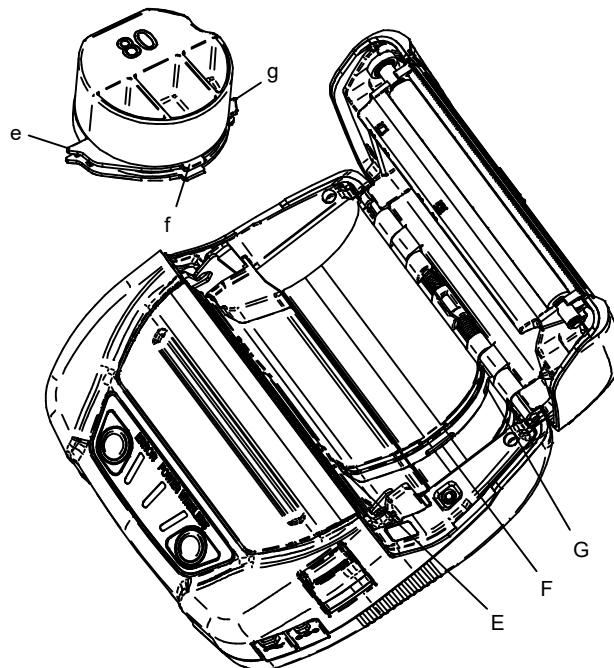


Figure 13-4 Partition Plate Installation (1)

1. Align the tab "e" of the partition plate to the groove "E" of the printer as shown in Figure 13-5.

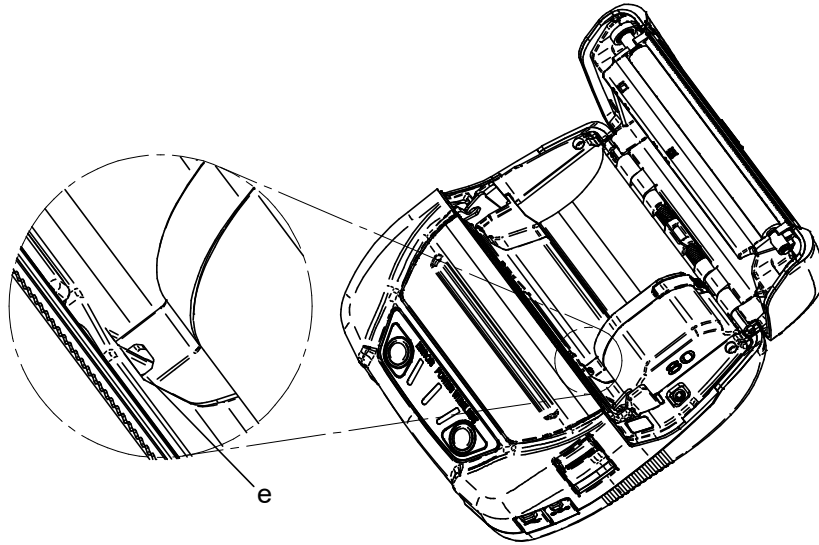


Figure 13-5 Partition Plate Installation (2)

2. Rotate the partition plate clockwise with the tab "e" as a supporting point, and set the tab "f" into the groove "F" of the printer.
3. Push the partition plate until the tab "g" of the partition plate is locked in the groove "G" of the printer as shown in Figure 13-6.

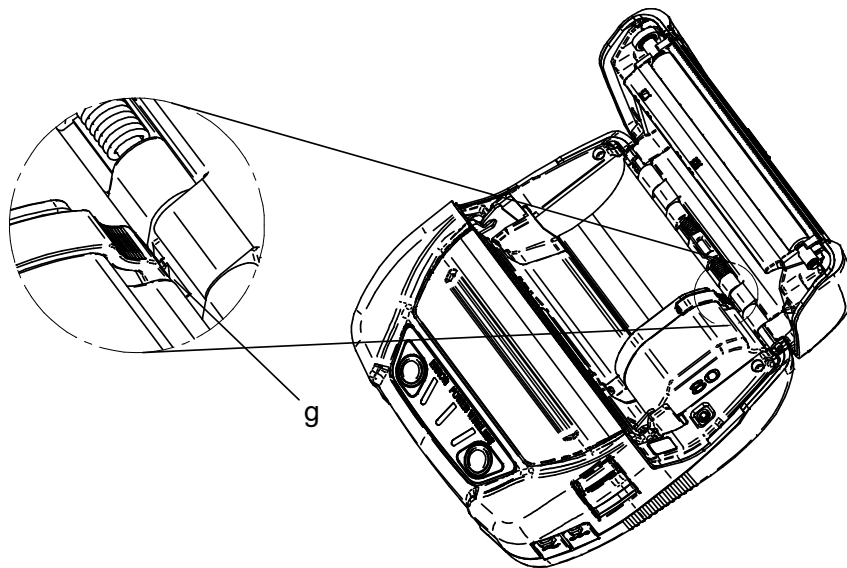


Figure 13-6 Partition Plate Installation (3)

- (6) Make sure that the partition plate is installed securely into the printer.
 - Ensure the tab "e" is fixed in the groove "E"
 - Ensure the tab "f" is fixed in the groove "F"
 - Ensure the tab "g" is fixed in the groove "G"
- (7) When the paper width is set by the partition plate, set the paper width in General Setting 3 (MS3) of the Function Settings.
See "4.2 FUNCTION SETTINGS (MS)" in "MP-A40 SERIES THERMAL PRINTER TECHNICAL REFERENCE" for details.

■ Removing Partition Plate

Follow the below procedure to remove the partition plate from the printer.

- (1) Pull up the part "h" of the partition plate pressing in the direction of the arrow as shown in the figure below.

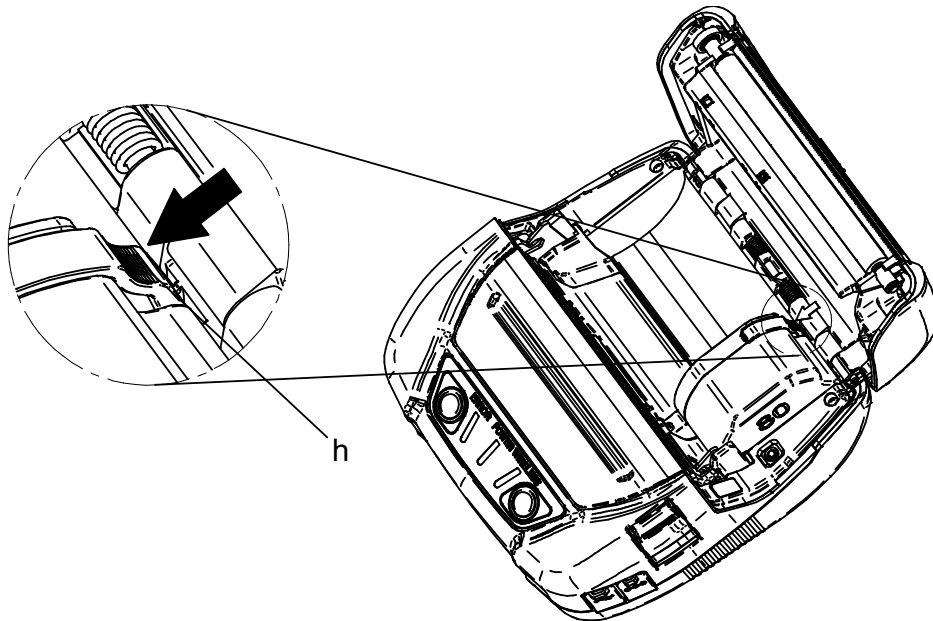


Figure 13-7 Partition Plate Removal

NOTE

- ◆ The printer has 2 paper cutters on the paper outlet: one is on the printer side, and the other is on the paper cover side. When installing/removing the partition plate, be careful not to cut your fingers by the paper cutters.
- ◆ Set the paper width before using the printer for the first time. DO NOT change the paper width after starting to use the printer. Doing so may damage the printer.
- ◆ When the thermal paper smaller than 112 mm in width is used with using the partition plate, rubber crumbs of the platen may be generated because the platen contacts with the thermal head. Remove rubber crumbs regularly to maintain the printing quality.

14. INSTALLING BELT CLIP / SHOULDER STRAP

The belt clip and the shoulder strap convenient for carrying the printer can be attached to the printer. The belt clip is included with the printer.

The shoulder strap is an optional accessory. See "21. ACCESSORIES AND CONSUMABLE PARTS", and be sure to purchase our specified products listed on the reference.

■ Installing Belt Clip

- (1) Turn off the printer.
- (2) Remove the battery pack from the printer.
When the AC adapter is connected, disconnect the AC plug of AC cable from an outlet.
- (3) Insert the part "j" of the belt clip into the hole "J" of the printer in the direction of the arrow as shown in Figure 14-1.
The belt clip cannot be installed in wrong direction.

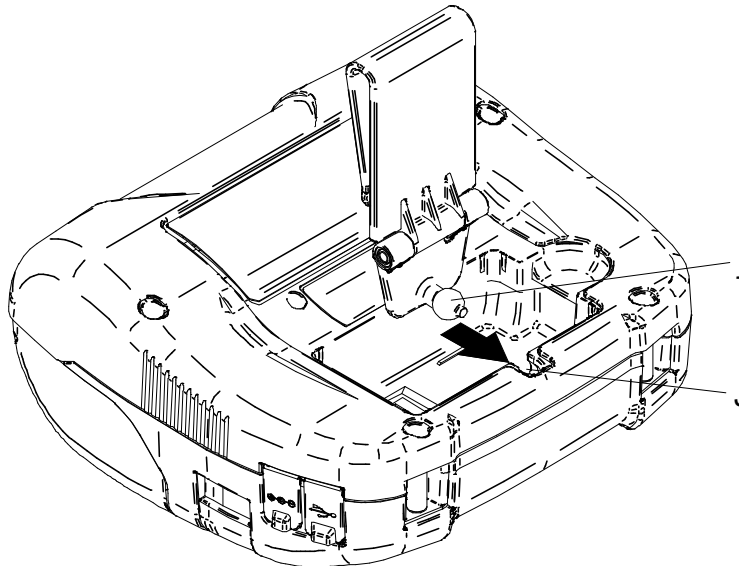


Figure 14-1 Belt Clip Installation (1)

- (4) Rotate the belt clip 90 degrees.

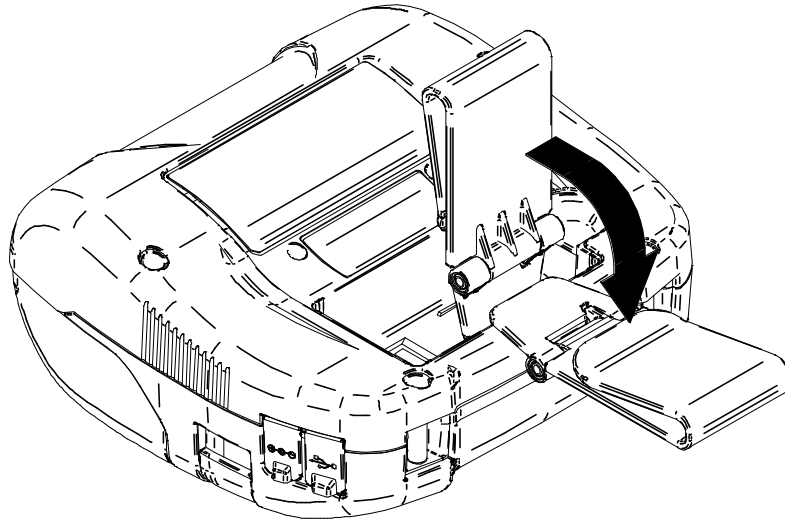


Figure 14-2 Belt Clip Installation (2)

- (5) Install the battery pack in the printer.
(6) Hook the part "k" of the belt clip in Figure 14-3 to your belt.

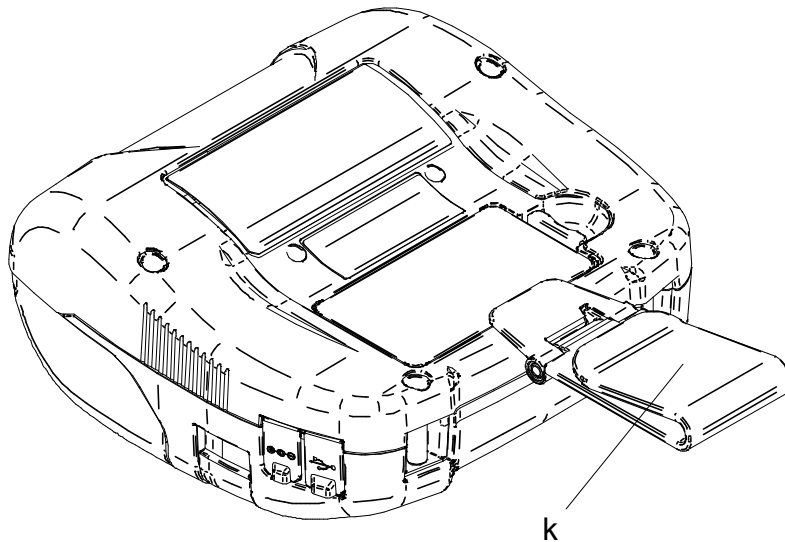


Figure 14-3 Belt Clip Installation (3)

NOTE

- ◆ Be sure to install the battery pack to the printer when using the belt clip because the belt clip comes off too easily from the printer without installing the battery pack. Dropped printer may cause personal injury or malfunction.
- ◆ Avoid the direct skin contact with the battery pack while using the belt clip. Prolonged skin contact may cause low-temperature burns.

■ Installing Shoulder Strap

- (1) Pass the tip of shoulder strap through the installation hole of the printer as shown in Figure 14-4. Loosen the shoulder strap at the adjuster part.

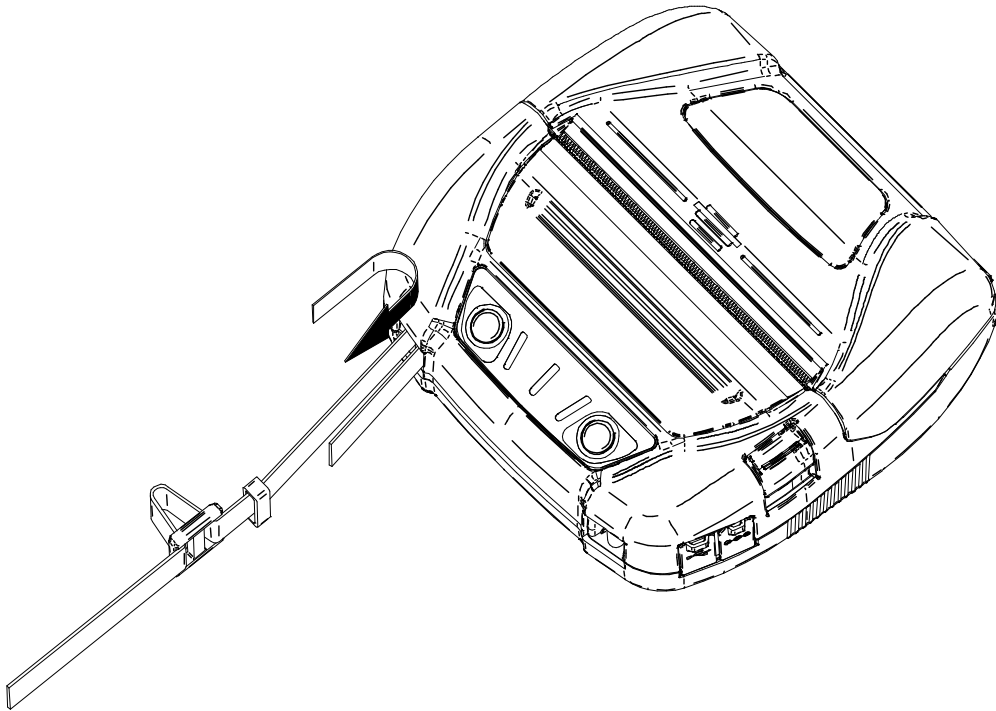


Figure 14-4 Shoulder Strap Installation (1)

- (2) Pass the tip of folded shoulder strap through the ring as shown in Figure 14-5.

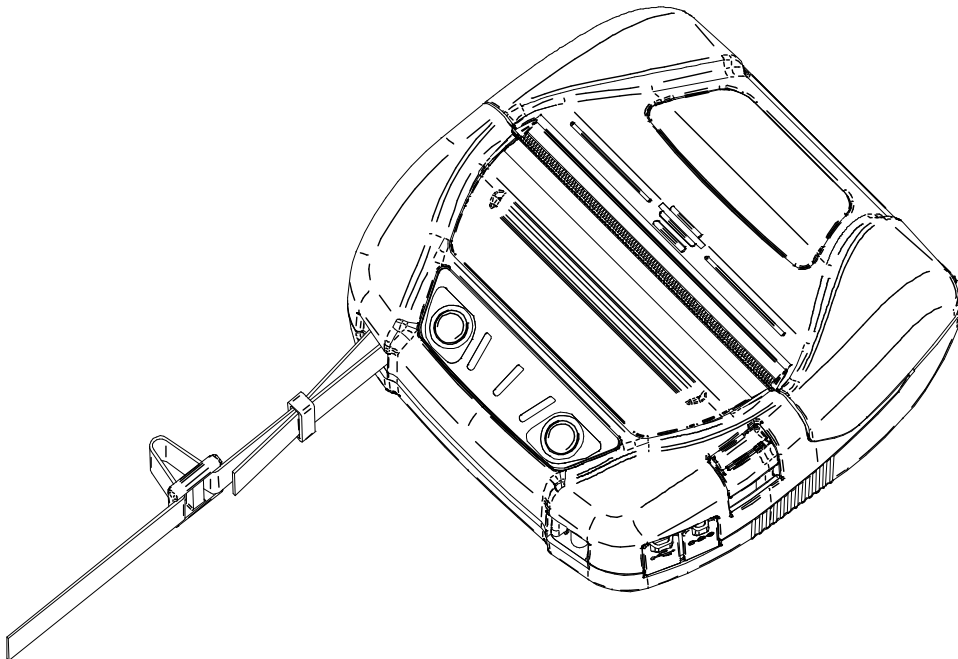


Figure 14-5 Shoulder Strap Installation (2)

- (3) As shown in Figure 14-6, pass the tip of shoulder strap through the adjuster hole on farther side from the printer.

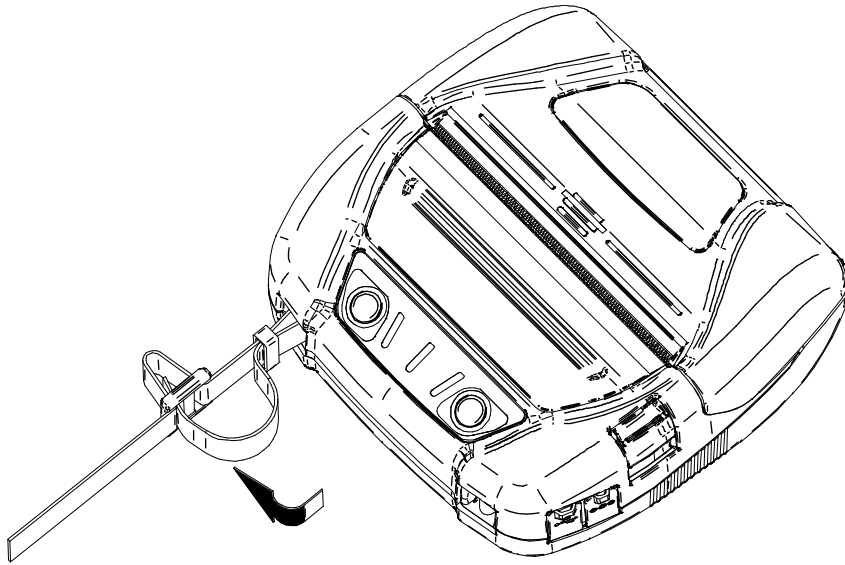


Figure 14-6 Shoulder Strap Installation (3)

- (4) As shown in Figure 14-7, pass the tip of shoulder strap through the adjuster hole on closer side from the printer.
And then, pass the tip of shoulder strap through the ring again.

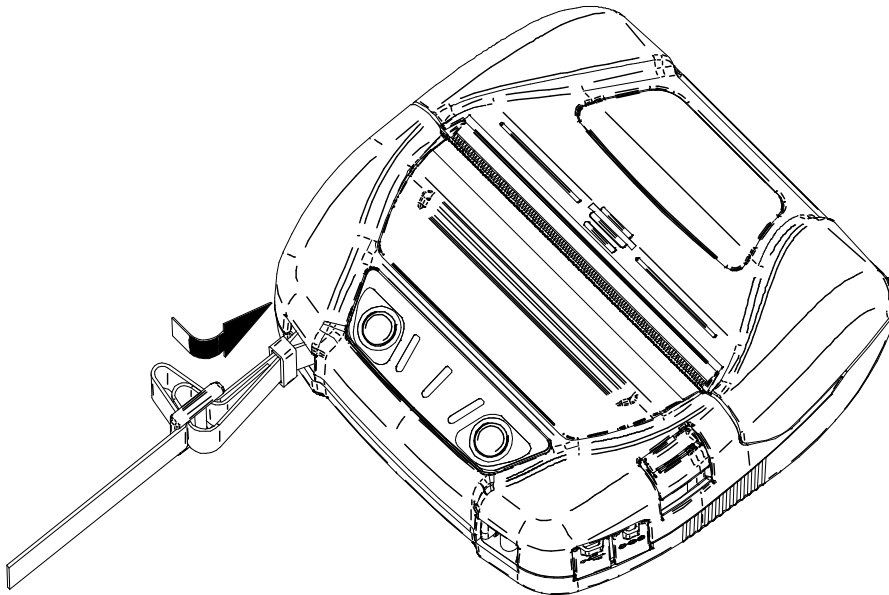


Figure 14-7 Shoulder Strap Installation (4)

- (5) As shown in Figure 14-8, install the other shoulder strap by the same procedure described (1) to (4). Tighten the looseness of adjuster part and adjust the length of the shoulder strap.

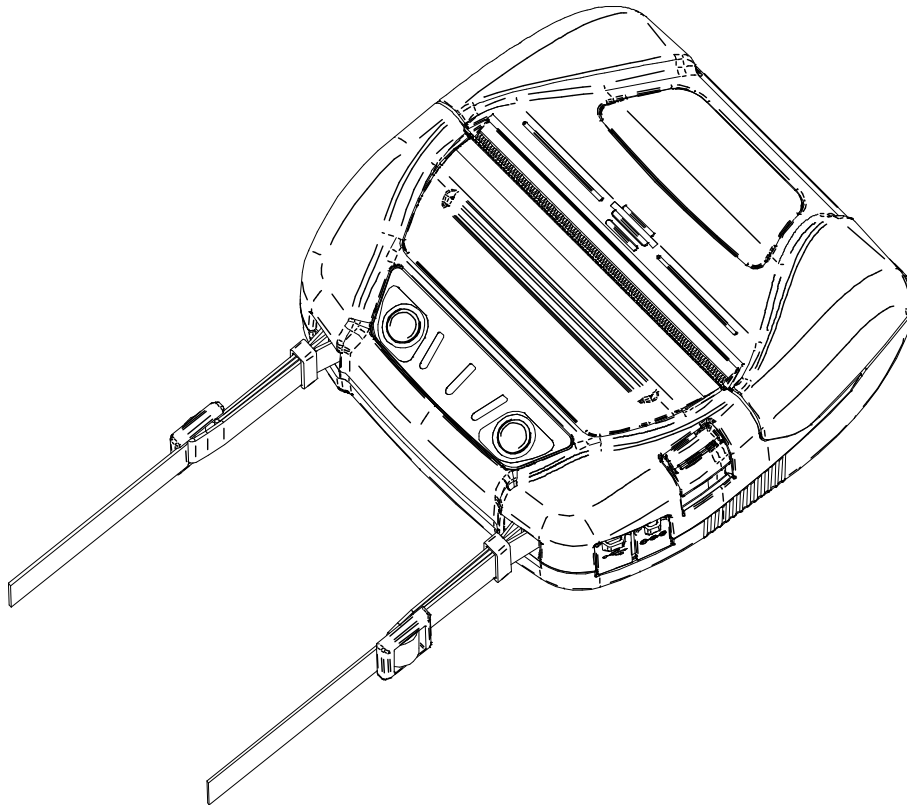


Figure 14-8 Shoulder Strap Installation (5)

NOTE

- ◆ Be sure to install the shoulder strap to the printer securely when using the shoulder strap. Dropped printer may cause personal injury or malfunction.
- ◆ Avoid the direct skin contact with the battery pack while using the shoulder strap. Prolonged skin contact may cause low-temperature burns.

15. CHARGING BATTERY PACK

The battery pack can be charged using the printer or battery charger.

From the Printer

1. Charged from an AC power supply using the AC adapter.
2. Charged from an accessory socket of a car using the car charger.

From the Battery Charger

3. Charged from an AC power supply using the AC adapter.

This chapter describes how to charge from an AC power supply by the printer using the AC adapter. The AC adapter requires the specified AC cable.

Be sure to see "16. CHARGING FROM CAR CHARGER" for the charging method from the car charger. And be sure to see "17. CHARGING FROM BATTERY CHARGER" for the charging method from the battery charger.

The battery pack is partially charged prior to shipping and provides sufficient power to check the printer operation. To use the printer for an extended time, fully charge the battery pack.

The battery pack does not need to be used up or discharged before charging.

The battery pack, the AC adapter, and the AC cable are optional accessories.

See "20. SPECIFICATIONS" and "21. ACCESSORIES AND CONSUMABLE PARTS", and be sure to purchase our specified products listed on these references.

NOTE

- ◆ DO NOT remove the battery during charging.
- ◆ The battery pack should be charged at 0°C to 40°C (32°F to 104°F).

■ Charging from Printer and AC Adapter

There are 2 methods for charging the battery pack from the printer using the AC adapter.

- Normal charging : Charging starts regardless of a battery remaining capacity.
- Long life charging : Repeating to charge and discharge the battery pack with enough battery remaining capacity may accelerate the battery pack deterioration.
To prevent this, charging starts when a battery remaining capacity falls down battery level 2 or less.

For the battery remaining capacity and the error states, see "7. LED INDICATION OF PRINTER".

Select the charging method depending on the procedure.

Normal Charging

Before connecting the AC adapter, install the battery pack in the printer.

- (1) Ensure that the printer power is off.
- (2) Install the battery pack in the printer.
- (3) Connect the AC cable to the AC adapter.
- (4) Plug the DC plug of the AC adapter to the power connector of the printer.
- (5) Plug the AC plug of the AC cable to an outlet.
- (6) The printer turns on automatically.
After the POWER LED indicates the battery remaining capacity for approximate 3 seconds, the POWER LED changes to orange, and then charging starts.
During charging, the POWER LED lights on orange.
- (7) When the charging is successfully complete to full charge, the power is shut off automatically.
In case that a battery error occurs during charging, the ERROR LED indicates the error states.
When it happens, the power is not shut off automatically.

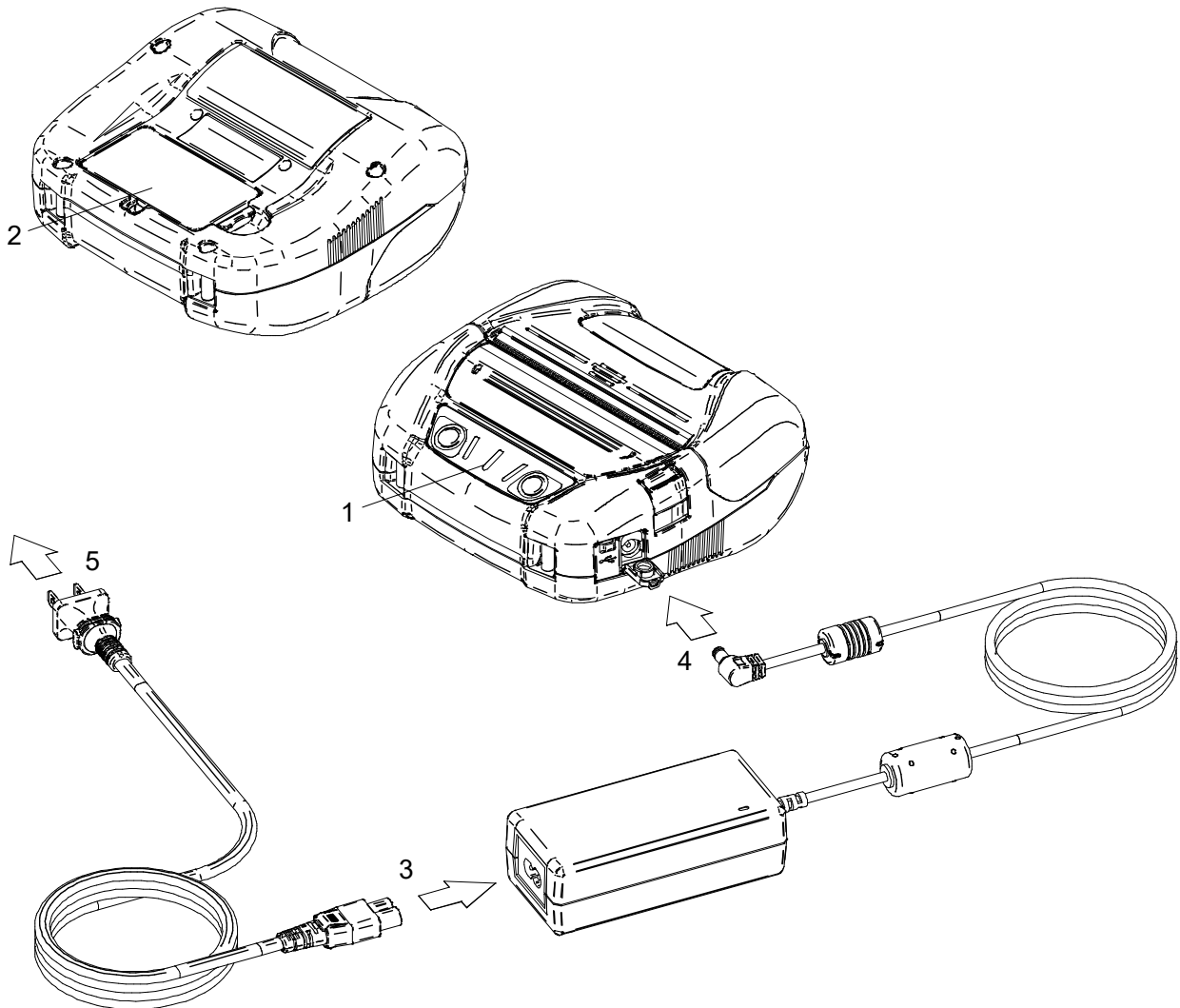


Figure 15-1 Normal Charging from AC Adapter

Long Life Charging

After connecting the AC adapter, install the battery pack in the printer.
When the battery pack has already been installed, remove it from the printer.

- (1) Ensure that the printer power is off.
- (2) Connect the AC cable to the AC adapter.
- (3) Plug the DC plug of the AC adapter to the power connector of the printer.
- (4) Plug the AC plug of the AC cable to an outlet.
- (5) Install the battery pack to the printer.
- (6) Turn on the printer.
After the POWER LED indicates the battery remaining capacity for approximate 3 seconds, the POWER LED turns orange and charging starts when the battery remaining capacity is battery level 2 or less.
When the battery remaining capacity is battery level 1, the POWER LED stays indicating the battery remaining capacity, and charging does not start.
During charging, the POWER LED lights on orange.
- (7) When the charging is successfully complete to full charge, the POWER LED turns to green.
The power is not shut off automatically.
In case that a battery error occurs during charging, the ERROR LED indicates the error states.

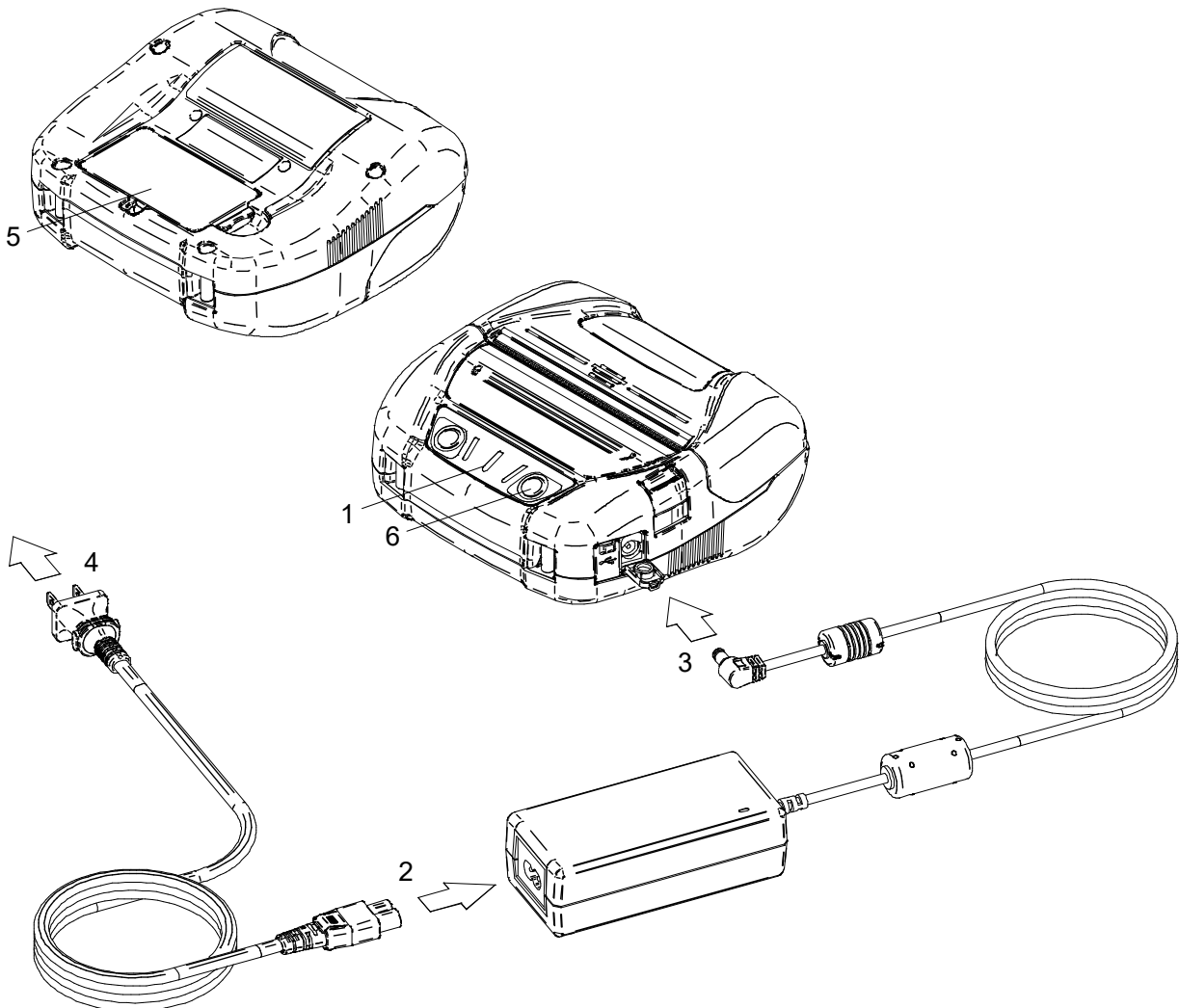


Figure 15-2 Long Life Charging from AC adapter

HINT

- The printer can print or receive data while charging from the printer and AC adapter. During printing, the POWER LED indicates the battery remaining capacity continuously and the printer pauses charging.
After printing is completed, the printer resumes charging, and the light of the POWER LED changes to orange.
When the printer performs printing or receiving data during charging with the normal charging method, the power is not shut off automatically even when charging is completed.
- To stop charging, press the power switch to turn off the power.
To resume charging, press the power switch again.
For the long life charging method, please note that further charging will not be continued if the remaining capacity of the battery pack has recovered to the battery level 1 at the time of charge resumption.
- When resuming charging by the above procedure during normal charging, the charging method is switched to the long life charging method, and therefore the power is not shut off automatically even when charging is completed. To resume charging with the normal charging method, turn off the printer, then unplug the AC plug of the AC adapter from the outlet, and plug it again.
- The charging time depends on the ambient temperature and the voltage level of the battery pack. Normally, it takes about 4 hours to complete charging after running down the battery pack.
- The AC adapter may get hot when in use. This is normal and not a malfunction.

16. CHARGING FROM CAR CHARGER

The battery pack can be charged by connecting a car accessory socket and the printer using the car charger.

The car charger is only for charging. Even if the car charger is connected to the printer, the printer cannot print without the battery pack.

Charging the battery pack with the car charger is possible while the car engine is running or accessory power is providing. Ensure that the car battery remaining capacity is sufficient before using the car charger through the accessory power.

The battery pack and the car charger are optional accessories. See "20. SPECIFICATIONS" and "21. ACCESSORIES AND CONSUMABLE PARTS", and be sure to purchase our specified products listed on these references.

NOTE

- ◆ DO NOT remove the battery pack during charging.
- ◆ DO NOT connect the battery charger to the car charger.
- ◆ The battery pack should be charged at 0°C to 40°C (32°F to 104°F).
- ◆ After using the car charger, unplug the cigar plug from the car accessory socket.
- ◆ DO NOT print out during a vehicle driving. Ejected thermal paper may hinder a vehicle driving.

■ Each Part of Car Charger

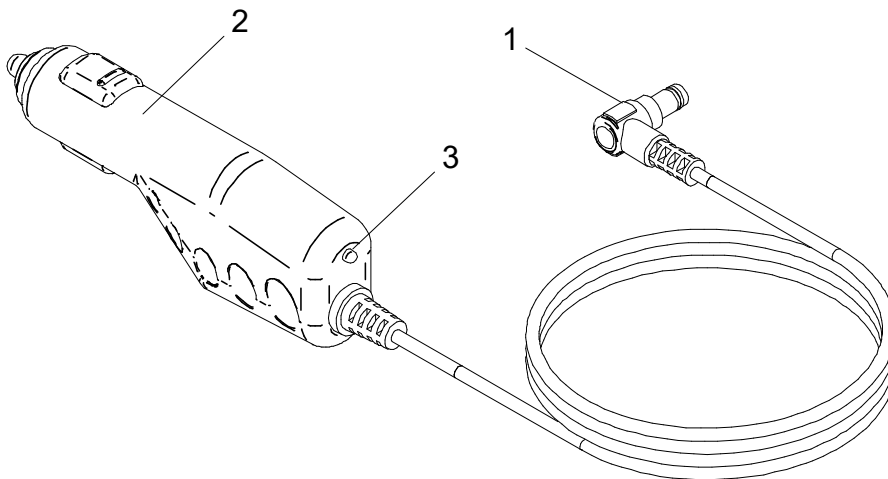


Figure 16-1 Each Part of Car Charger (CC-A12-A1)

1 DC Plug

The DC plug connects to the power connector.

2 Cigar Plug

The cigar plug connects to a car accessory socket.

3 LED

The LED indicates the activate state.

The LED lights on green when the car engine is being run or accessory power is being provided.

■ Charging from Printer and Car Charger

There are 2 methods for charging the battery pack from the printer using the car charger.

- Normal charging : Charging starts regardless of a battery remaining capacity.
- Long life charging : Repeating to charge and discharge the battery pack with enough battery remaining capacity may accelerate the battery pack deterioration.
To prevent this, charging starts when a battery remaining capacity falls down battery level 2 or less.

For the battery remaining capacity and the error states, see "7. LED INDICATION OF PRINTER".

Select the charging method depending on the procedure.

Normal Charging

Before connecting the car charger, install the battery pack in the printer.
Ensure that the car engine is running or accessory power is providing.

- (1) Ensure that the printer power is off.
- (2) Install the battery pack in the printer.
- (3) Connect the DC plug of the car charger to the power connector of the printer.
- (4) Plug the cigar plug of the car charger to a car accessory socket.
- (5) The printer turns on automatically.
After the POWER LED indicates the battery remaining capacity for approximate 3 seconds, the POWER LED changes to orange, and then charging starts.
During charging, the POWER LED lights on orange.
- (6) When the charging is successfully complete to full charge, the power is shut off automatically.
In case that a battery error occurs during charging, the ERROR LED indicates the error states.
When it happens, the power is not shut off automatically.

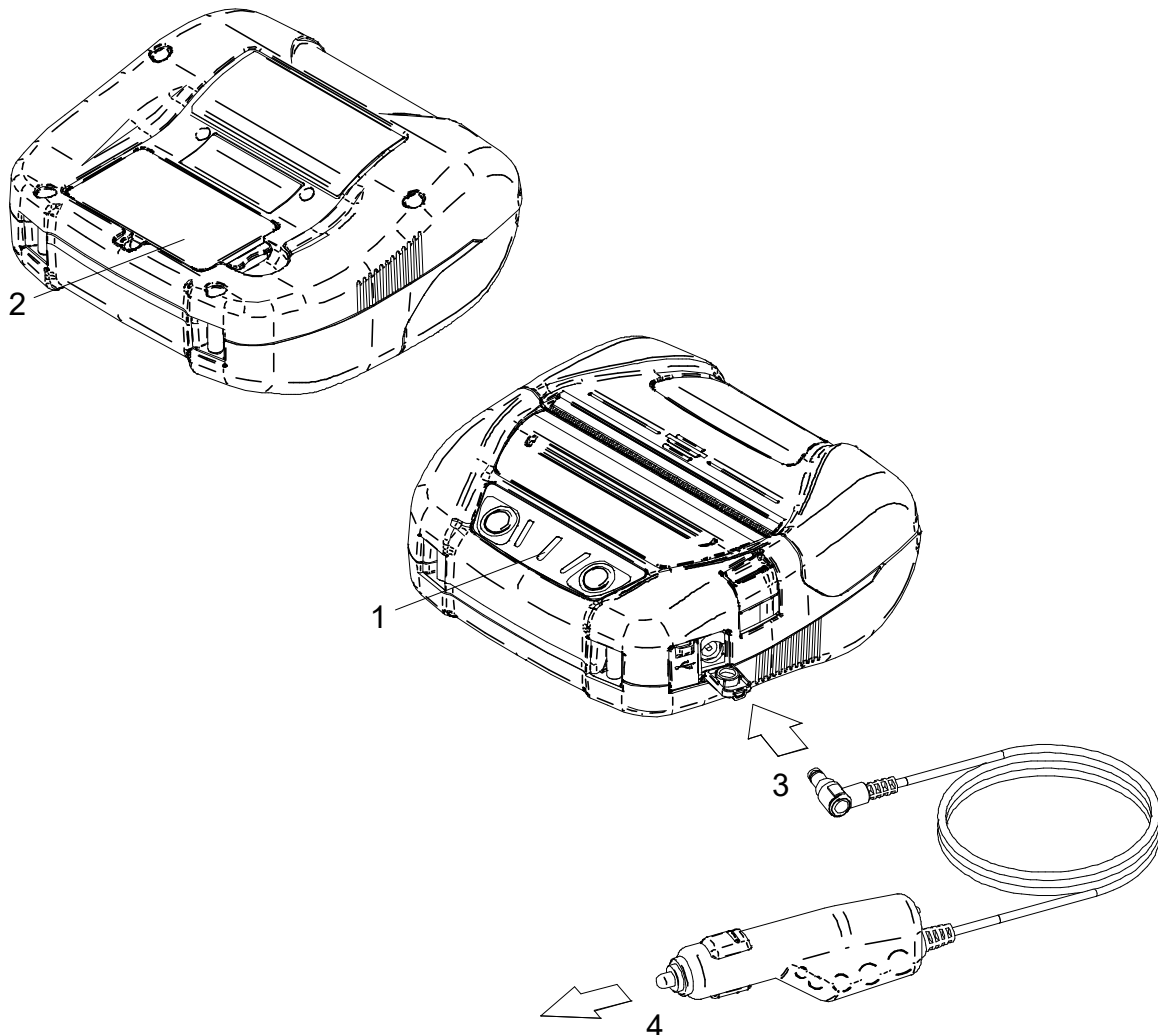


Figure 16-2 Normal Charging from Car Charger

Long Life Charging

After connecting the car charger, install the battery pack in the printer.
When the battery pack has already been installed, remove it from the printer.
Ensure that the car engine is running or accessory power is providing.

- (1) Ensure that the printer power is off.
- (2) Connect the DC plug of the car charger to the power connector of the printer.
- (3) Plug the cigar plug of the car charger to a car accessory socket.
- (4) Install the battery pack in the printer.
- (5) Turn on the printer.
After the POWER LED indicates the battery remaining capacity for approximate 3 seconds, the POWER LED turns orange and charging starts when the battery remaining capacity is battery level 2 or less.
When the battery remaining capacity is battery level 1, the POWER LED stays indicating the battery remaining capacity, and charging does not start.
During charging, the POWER LED lights on orange.
- (6) When the charging is successfully complete to full charge, the POWER LED turns to green.
The power is not shut off automatically.
In case that a battery error occurs during charging, the ERROR LED indicates the error states.

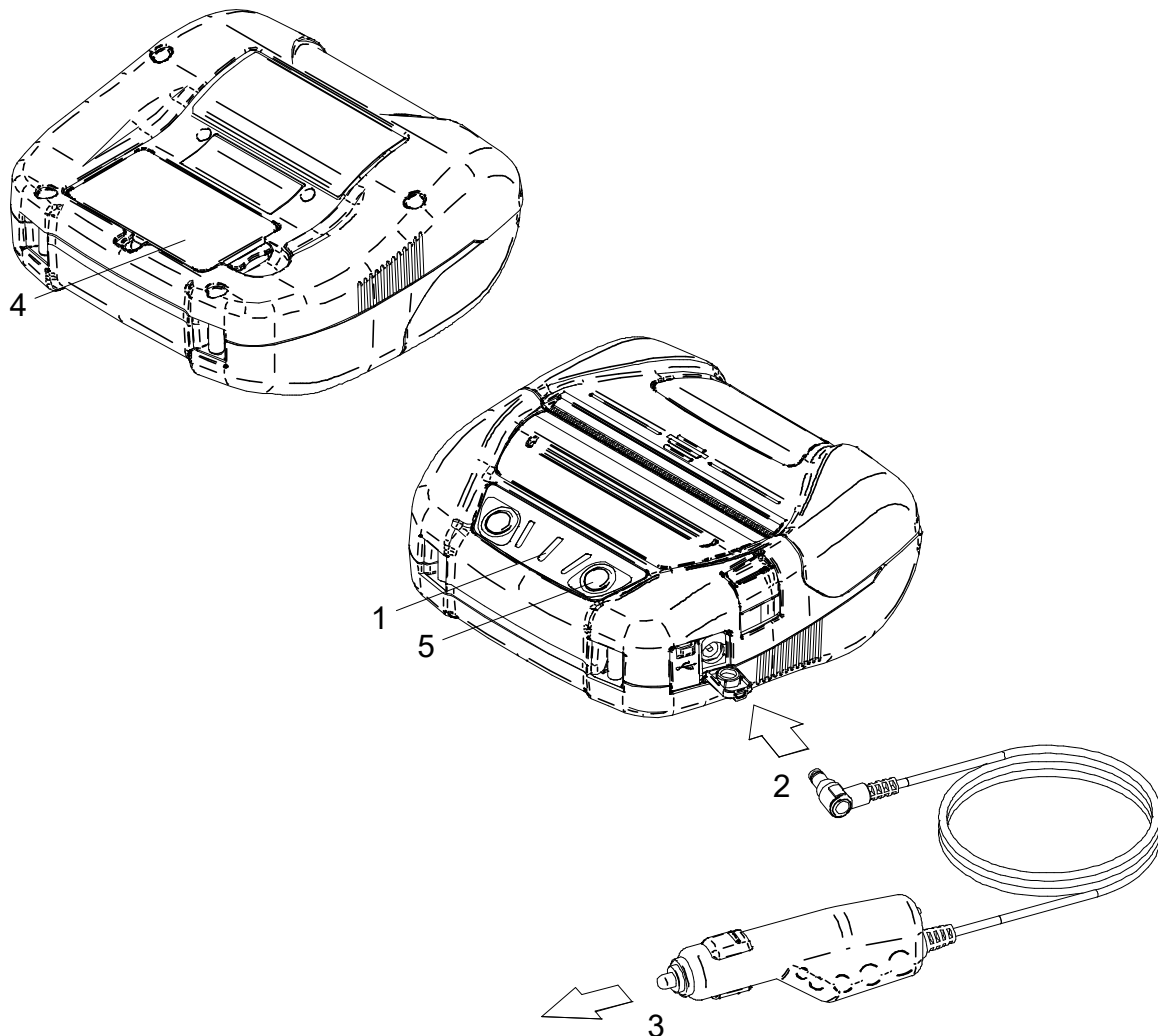


Figure 16-3 Long Life Charging from Car Charger

HINT

- The printer can print or receive data while charging from the printer and car charger. But note that the power for operating the printer is supplied from the battery. During printing, the POWER LED indicates the battery remaining capacity continuously and the printer pauses charging. After printing is completed, the printer resumes charging, and the light of the POWER LED changes to orange. When the printer performs printing or receiving data during charging with the normal charging method, the power is not shut off automatically even when charging is completed.
- To stop charging, press the power switch to turn off the power. To resume charging, press the power switch again. For the long life charging method, please note that further charging will not be continued if the remaining capacity of the battery pack has recovered to the battery level 1 at the time of charge resumption.
- When resuming charging by the above procedure during normal charging, the charging method is switched to the long life charging method, and therefore the power is not shut off automatically even when charging is completed. To resume charging with the normal charging method, turn off the printer, then unplug the cigar plug from the car accessory socket, and plug it again.
- The charging time depends on the ambient temperature and the voltage level of the battery pack. Normally, it takes about 4 hours to complete charging after running down the battery pack.
- The car charger may get hot when in use. This is normal and not a malfunction.

17. CHARGING FROM BATTERY CHARGER

The battery pack can be charged using the battery charger.

To use the battery charger, the AC adapter and the AC cable are required.

The battery pack, the AC adapter, the AC cable, and the battery charger are optional accessories.

See "20. SPECIFICATIONS" and "21. ACCESSORIES AND CONSUMABLE PARTS", and be sure to purchase our specified products listed on these references.

There are 2 specified battery chargers; one is "PWC-A071-A1" that can charge 1 battery pack, and the other is a quad battery charger "PWC-A074-A1" that can charge maximum 4 battery packs.

NOTE

- ◆ The battery pack should be charged at 0°C to 40°C (32°F to 104°F).
- ◆ Keep the terminal of the battery charger away from dust and metal objects.
- ◆ DO NOT install the battery pack when installing/removing the AC adapter.
- ◆ After using the battery charger, unplug the AC cable from the outlet.
- ◆ Remove the battery pack after charging.
- ◆ DO NOT connect the car charger to the battery charger.

■ Each Part of Battery Charger

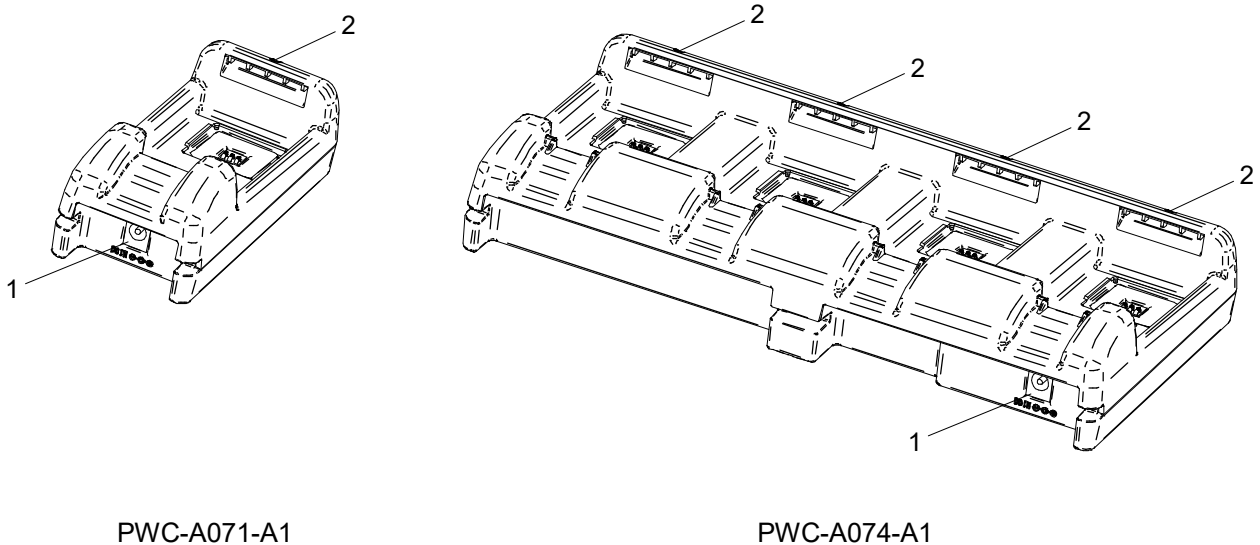


Figure 17-1 Each Part of Battery Charger

1 Power Connector

The DC plug of the AC adapter is connected.

2 LED

The LED indicates the activate state.

■ LED Indication of Battery Charger

Table 17-1 Battery Charger States

Battery Pack States	LED	
	Color	Lighting Pattern
Not installed	Green	On
Charging completed	Green	On
Charging	Orange	On
Charging battery temperature error	Red	Blink-2
Battery installation error	Red	Blink-3
Battery error	Red	Blink-4
Hardware error	Red	On

Table 17-2 Blink Pattern

States	Pattern
Blink-2	
Blink-3	
Blink-4	

■ Connecting Battery Charger and AC adapter

This section describes how to connect the battery charger PWC-A071-A1 and the AC adapter. When the battery pack has already been installed, remove it from the battery charger.

- (1) Connect the AC cable to the AC adapter.
- (2) Plug the DC plug of AC adapter to the power connector of the battery charger. Fix the cable of the AC adapter in the groove of the battery charger as shown in Figure 17-3. (The cable can be fixed on either the left or right groove.)
- (3) Plug the AC plug of the AC cable to an outlet. The LED of the battery charger changes from lighting off to green lighting.

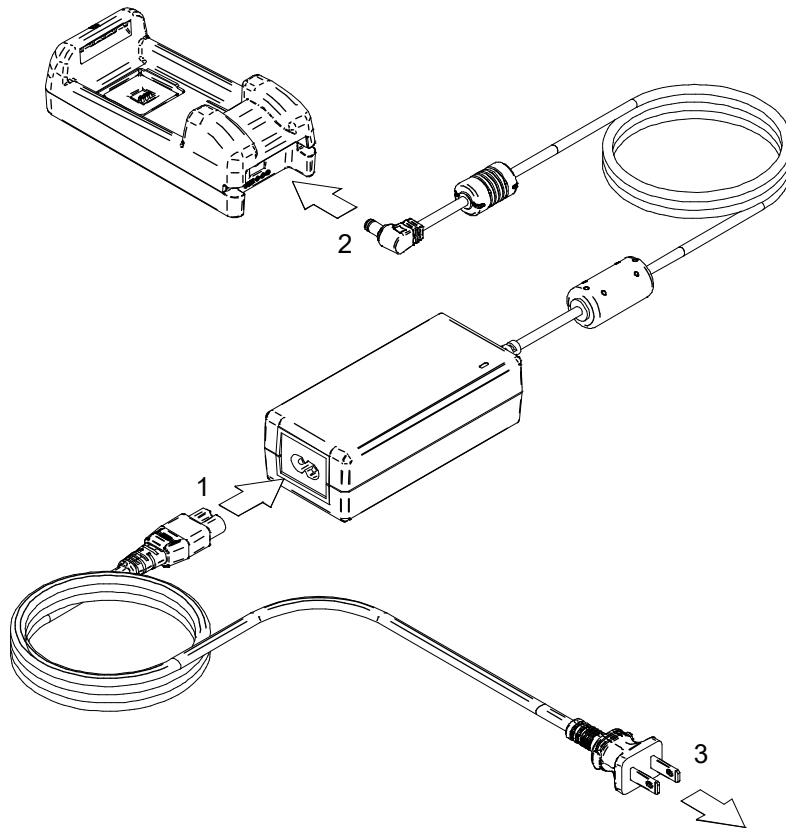


Figure 17-2 Battery Charger, AC Adapter and AC Cable Connection

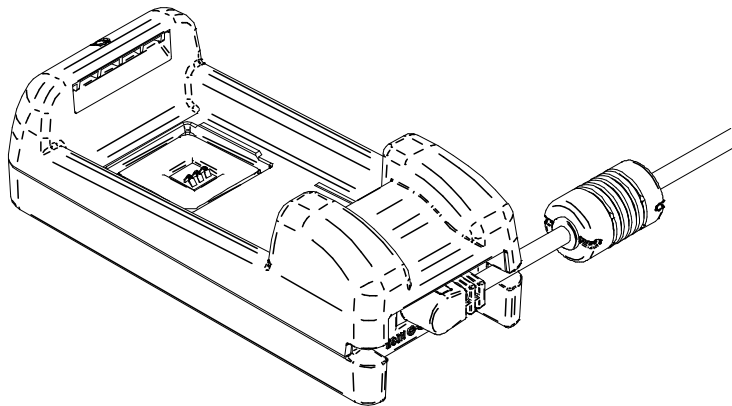


Figure 17-3 Fixing Cable

■ Charging Battery Pack from Battery Charger

This section describes how to charge the battery pack from the battery charger PWC-A071-A1. The battery pack is installed to the battery charger in the direction as shown in Figure 17-4. The battery pack cannot be inserted in the wrong direction.

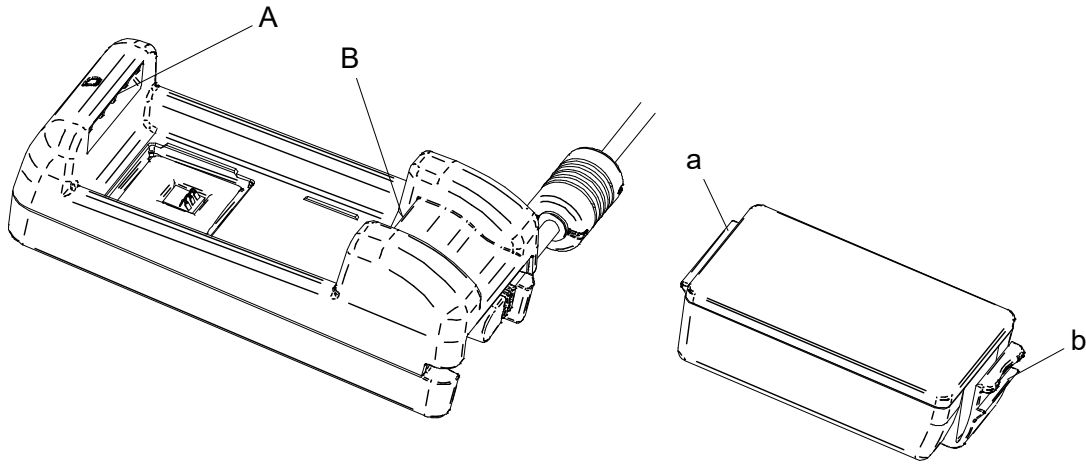


Figure 17-4 Battery Pack Direction

- (1) Insert the tab "a" of the battery pack under the groove "A" of the battery charger.

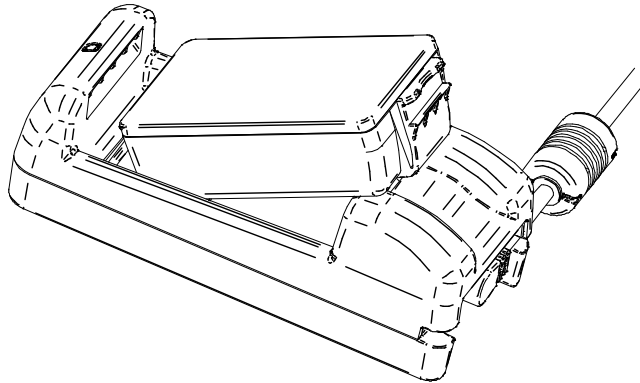


Figure 17-5 Battery Pack Installation (1)

- (2) Press the battery pack in the direction of the arrow in Figure 17-6 until the tab "b" of the battery pack locks in the groove "B" of the battery charger.

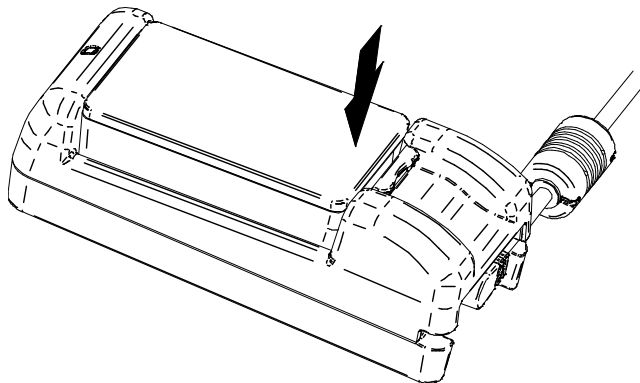


Figure 17-6 Battery Pack Installation (2)

- (3) Make sure that the battery pack is installed to the battery charger correctly.
- Ensure the tab "a" of the battery pack is inserted under the groove "A" of the battery charger.
 - Ensure the tab "b" of the battery pack is locked in the groove "B" of the battery charger.
- (4) The LED of the battery charger changes to orange, and then charging starts.
During charging, the POWER LED lights on orange.
When the LED doesn't turn to orange, install the battery pack again.
In case the LED doesn't turn to orange even if the battery pack is installed again, take action in accordance with "■Error Handling Procedure".
- (5) When charging is completed, the LED of the battery charger changes to green.
Press the lever "c" of the battery pack in the direction of the arrow 1 in Figure 17-7, and remove the battery pack by pulling up in the direction of the arrow 2.
It is not a problem to remove the battery pack during charging.
In case that a battery installation error or battery error occurs during charging, the LED starts to blink in red.
When it happens, take action in accordance with "■Error Handling Procedure".

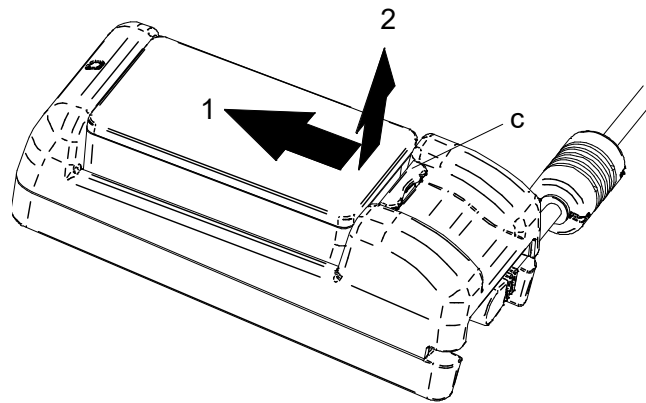


Figure 17-7 Battery Pack Removal from Battery Charger

HINT

- The charging time depends on the ambient temperature and the voltage level of the battery pack. Normally, using the battery charger "PWC-A071-A1", it takes about 4 hours to complete charging after running down the battery pack. Using the quad battery charger "PWC-A074-A1", it takes about 5 hours.
- The battery charger and the AC adapter may get hot when in use. This is normal and not a malfunction.

■ Error Handling Procedure

Table 17-3 Error Handling Procedure

Phenomenon	Possible Cause	Corrective Action
LED doesn't light up	The battery charger doesn't connect to the power supply.	Securely connect the AC adapter and the AC cable.
	The AC adapter is failed or AC cable is broken.	Replace the AC adapter or AC cable with a new one.
	The battery charger is failed.	Replace the battery charger with a new one.
LED indicates other than green lighting with no battery pack installed	The battery charger is failed.	Replace the battery charger with a new one.
LED indicates charging temperature error	The battery pack temperature is out of the operating temperature range (charging).	The printer automatically resumes charging when the battery pack temperature is within the operating temperature range (charging). Wait for a while in the place where the ambient temperature is 0°C to 40°C (32°F to 104°F).
LED indicates battery installation error	The battery pack is installed incorrectly.	Install the battery pack correctly again.
	The terminal is in a contact failure.	Remove the battery pack from the battery charger, clean the terminal, and install it again.
	The battery pack is failed.	Replace the battery pack with a new one.
LED indicates battery error	The battery pack is failed.	Replace the battery pack with a new one.
LED indicates hardware error	The battery charger or AC adapter is failed.	Replace the battery charger or AC adapter with a new one.

■ Mounting to Wall

The battery charger can be mounted to a wall using the bottom holes shown in Figure 17-8.

- Recommended screw: pan head screw 3 mm
(head shape: ϕ 5.5 mm, head size: 2 mm)

Mounting Size

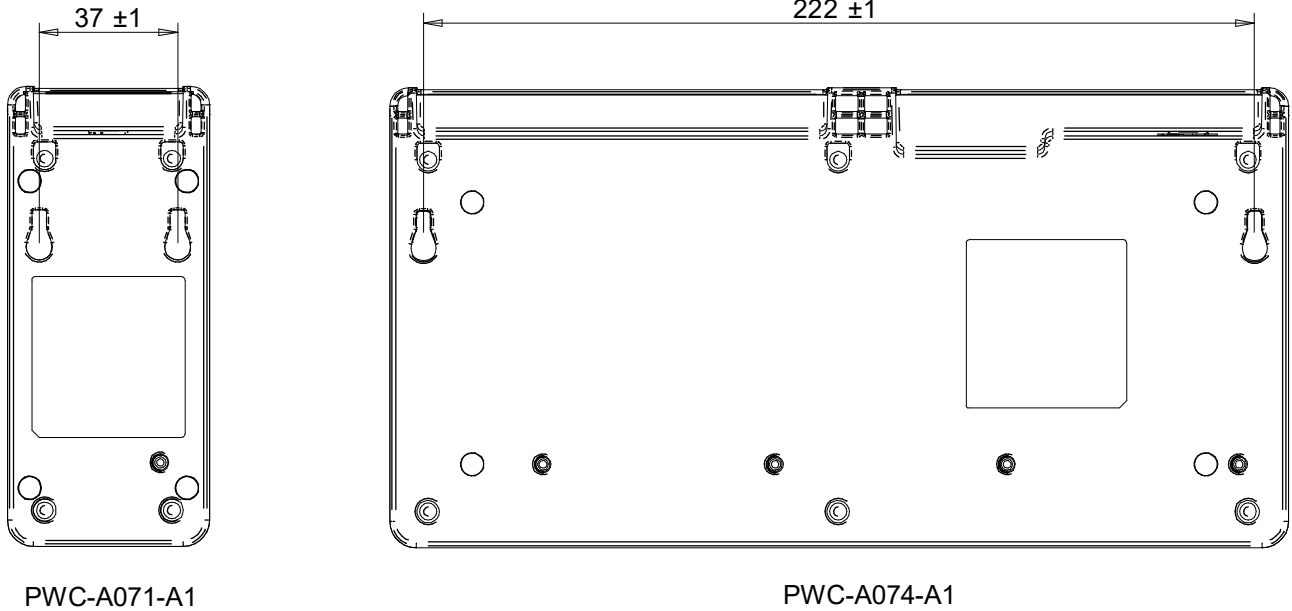


Figure 17-8 Bottom of Battery Charger

NOTE

- ◆ Check the place and the material/structure of the wall, and then install the battery charger securely. Injury or destruction of property might occur by dropping off.

18. PRINTER MAINTENANCE

The thermal head of the printer does not require user maintenance.

When paper powder accumulates, cleaning the thermal head can maintain the print quality for an extended period of time.

■ Cleaning Thermal Head / Platen

- (1) Turn off the printer.
- (2) Remove the battery pack from the printer.
When the AC adapter is connected, unplug the AC plug of the AC cable from an outlet.
- (3) Open the paper cover.
- (4) Clean the thermal head and/or the platen with a cotton swab moistened with a small amount of ethyl alcohol. (See Figure 18-1.)

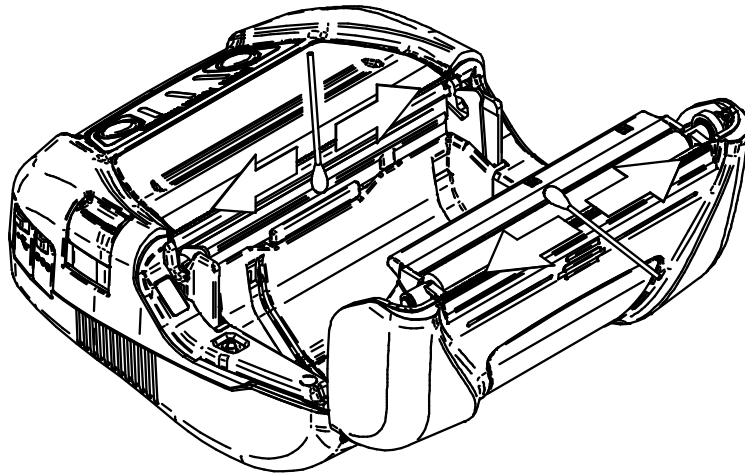


Figure 18-1 Thermal Head / Platen Cleaning

- (5) Wait until any ethyl alcohol remaining on the thermal head and the platen dries out completely, and then close the paper cover.

NOTE

- ◆ Clean the thermal head after it cools down.
- ◆ Be sure to wipe the thermal head with a cotton swab or other soft material.
- ◆ The printer has 2 paper cutters on the paper outlet: one is on the printer side, and the other is on the paper cover side. Be careful not to cut your fingers by the paper cutters during cleaning.
- ◆ DO NOT touch the gear of the platen. Doing so may cause loss of printing quality or damage.

19. TROUBLESHOOTING

Check the following points before requesting for repair:

■ The power does not turn on

- Is the specified battery pack or AC adapter being used?
- Is the battery pack sufficiently charged?
- Is the battery pack installed correctly?
- Are the AC cable and the AC adapter connected correctly?
- Are the AC adapter and the printer connected correctly?

■ The printer does not print or connect

- Is the interface cable connected correctly?
- Do the specifications of the interface cable conform to its specifications of this manual?
- Are used communication method and the function settings of the printer correct?
- Is the Bluetooth / Wireless LAN state normal?
- Is the communication condition between the printer and the host device correct?
- Is the specified thermal paper being used? Is the paper orientation (surface/back) correct?

■ An error is shown

- See "7. LED INDICATION OF PRINTER".
- Are the function settings of the printer correct?

■ The battery pack cannot be installed

- Is the battery pack connected correctly?
- Is the specified battery pack being used?

■ The battery runs out soon even if charged

- Has the battery been charged correctly?
- If the battery pack is charged correctly but does not last for a long time, it is almost dead. Replace it with a new one.

20. SPECIFICATIONS

■ Printer Specifications

Item	Specifications
Model	MP-A40-B06JK1 (Model with Bluetooth) MP-A40-B06JK2 (Model with Bluetooth) MP-A40-W06JK1 (Model with Wireless LAN)
Printing method	Thermal printing
Dot density	8 dots/mm
Paper width / Printing width (Number of effective dots)	80 mm / 72 mm (576 dots) 100 mm / 92 mm (736 dots) 105 mm / 97 mm (776 dots) 112 mm / 104 mm (832 dots)
Number of characters per line ^{*1}	Paper width 80 mm: 24 dots × 12 dots 48 digits 16 dots × 8 dots 72 digits Paper width 100 mm: 24 dots × 12 dots 61 digits 16 dots × 8 dots 92 digits Paper width 105 mm: 24 dots × 12 dots 64 digits 16 dots × 8 dots 97 digits Paper width 112 mm: 24 dots × 12 dots 69 digits 16 dots × 8 dots 104 digits
Character size (H × W)	1-byte: H 24 dots × W 12 dots, H 16 dots × W 8 dots 2-byte: H 24 dots × W 24 dots, H 16 dots × W 16 dots
Printing speed max.	105 mm/s
Operating temperature	-20°C to 50°C (-4°F to 122°F)
Relative humidity ^{*2}	10%RH to 90%RH
Dimensions (W × D × H)	156 mm × 152 mm × 71 mm
Mass	Approx. 760 g (including the battery pack, excluding the thermal paper)
Falling resistance	2 m (6.6 feet) ^{*3}
Dust and drip proof	IP54 ^{*3}

*1: The number is for 1-byte character, and when character spacing is 0 dots.

*2: See "MP-A40 SERIES THERMAL PRINTER TECHNICAL REFERENCE" for the certifiable humidity range at each temperature.

*3: This number is test result based on SII procedures, not a guaranteed value.

■ AC Adapter Specifications

(Specified Accessories)

Item	Specifications
Model	PW-D0940-W2
Input voltage	AC100 to 240 V, 50/60 Hz
Rated output	DC9.0 V, 4 A
Operating temperature	0°C to 40°C (32°F to 104°F)
Dimensions (W × D × H)	53 mm × 114 mm × 37 mm*
Mass	Approx. 318 g

*: Excluding the cable.

■ Battery Pack Specifications

(Specified Accessories)

Item	Specifications
Model	BP-A0720-A1*
Battery	Lithium ion
Rated voltage	DC7.4 V
Rated capacity	1950 mAh
Operating temperature	-20°C to 50°C (-4°F to 122°F)(printing) 0°C to 40°C (32°F to 104°F)(charging)
Mass	Approx. 119 g

*: MP-A40-B06JK2 does not support this battery pack.

(Specified Accessories)

Item	Specifications
Model	BP-A0720-B1
Battery	Lithium ion
Rated voltage	DC7.4 V
Rated capacity	1950 mAh
Operating temperature	-20°C to 50°C (-4°F to 122°F)(printing) 0°C to 40°C (32°F to 104°F)(charging)
Mass	Approx. 119 g

■ Battery Charger Specifications

(Specified Accessories)

Item	Specifications
Model	PWC-A071-A1
Input voltage	DC9.0 to 12.0 V
Specified battery	BP-A0720-A1, BP-A0720-B1
Operating temperature	0°C to 40°C (32°F to 104°F)
Dimensions (W × D × H)	54 mm × 123 mm × 41.3 mm
Mass	Approx. 82 g

■ Quad Battery Charger Specifications

(Specified Accessories)

Item	Specifications
Model	PWC-A074-A1
Input voltage	DC9.0 V
Specified battery	BP-A0720-A1, BP-A0720-B1
Operating temperature	0°C to 40°C (32°F to 104°F)
Dimensions (W × D × H)	240 mm × 123 mm × 41.3 mm
Mass	Approx. 304 g

■ Car Charger Specifications

(Specified Accessories)

Item	Specifications
Model	CC-A12-A1
Input voltage	DC12.0 V, DC24.0 V
Rated output	DC12.0 V, 1.5 A
Operating temperature	0°C to 40°C (32°F to 104°F)
Dimensions (W × D × H)	107 mm × 38 mm × 20.4 mm*
Mass	Approx. 70 g

*: Excluding the cable.

■ Interface Specifications

USB interface specifications

Item	Specifications
Version	Ver. 2.0
Printer data transmission mode	Bulk transfer (12 Mbps)

Bluetooth interface specifications

Item	Specifications
Version	Ver. 4.1
Transmission power class	Class 2
Profile	SPP, iAP2

Wireless LAN interface specifications

Item	Specifications
Communication Standard	IEEE802.11b/g/n, IEEE802.11a/n
Network Configuration	Infrastructure
Station type	Access Point (Simple AP mode), Client (Client mode)
Certification/encryption	Open, WEP, WPA-PSK, WPA2-PSK, EAP-TTLS*, PEAP*

*: For Client mode only

■ Sale Destinations

Sale destinations for the printer are listed below.

Country/Region ^{*1}	Model with Bluetooth		Model with Wireless LAN ^{*2}
Japan	MP-A40-B06JK1	MP-A40-B06JK2	MP-A40-W06JK1J
USA Canada			MP-A40-W06JK1U
EU EFTA UK			MP-A40-W06JK1E
Turkey			

*1: Ask your SII sales representative when you want to operate the products in countries/regions other than those listed above.

*2: The model differs by country/region.

Sale destinations for the specified accessories are listed below.

Country/Region [*]	Battery Pack	AC Adapter	Battery Charger	Car Charger	AC Cable
Japan	BP-A0720-A1 BP-A0720-B1	PW-D0940-W2	PWC-A071-A1 PWC-A074-A1	CC-A12-A1	CB-JP04-18A-E
USA Canada					CB-US04-18A-E
EU EFTA Turkey					CB-CE01-18B-E
UK					CB-UK01-20A-E

*: Ask your SII sales representative when you want to operate the products in countries/regions other than those listed above.

21. ACCESSORIES AND CONSUMABLE PARTS

■ Specified Accessories

Name	Model
Battery pack	BP-A0720-A1* ¹ BP-A0720-B1
AC adapter	PW-D0940-W2
AC cable* ²	CB-JP04-18A-E CB-US04-18A-E CB-CE01-18B-E CB-UK01-20A-E
Battery charger	PWC-A071-A1 PWC-A074-A1
Car charger	CC-A12-A1
Shoulder strap	STR-A03-1
USB interface cable	IFC-U01-1-E
Carrying case	CVR-402-1

*1: MP-A40-B06JK2 does not support this battery pack.

*2: The shape of an outlet differs by country. Confirm it before using.

■ Specified Thermal Paper*¹ *² *³

Paper Type	Model	Manufacturer
Receipt sheet	TF50KS-E2D	Nippon Paper
	PD160R	Oji Paper
	P220VBB-1	Mitsubishi Paper Mills.
	Alpha400-2.1* ⁴	Appvion
	KT48PF	Papierfabrik August Koehler
Label sheet* ⁵	F5041	Mitsubishi HiTec Paper
	HW76MW	Lintec
	KIP370* ⁶	Kanzaki Specialty Papers
	KLS46* ⁴ * ⁶	KANZAN Spezialpapiere

*1: We do not handle.

*2: Use the thermal paper whose maximum diameter is ϕ 58 mm or less.

Use the thermal paper whose paper width is 112 mm, 105 mm, 100 mm and 80 mm.

Use the thermal paper whose maximum width is equal or less than the each paper width + 0.5 mm including winding deviation.

*3: See "MP-A40 SERIES THERMAL PRINTER TECHNICAL REFERENCE" for details of the position and specifications of the mark and the size of the label sheet.

*4: Printing at a high print rate might cause unclear printing.

*5: Printing under low temperature (0°C (32°F) or lower) environment might cause unclear printing. Make sure to confirm the printing quality on the printer.

*6: This is the model number of surface paper used for the label sheet. The printing quality may not be fulfilled depending on the type of release paper used for label processing. Confirm the printing quality in advance using the label-processed paper.

When using different thermal paper from the one specified, the printing quality or specified life of the thermal head would not be guaranteed.

22. MS SETTINGS LIST

: Default value

General Setting 1

MS	Function	Value	
		0	1
1-1	Interface Selection (Interface)	USB	USB/Wireless
1-2	Mark Mode Selection (Mark Mode)	Enable	Disable
1-3 to 5	Command System Selection (Command System)	000B : ESC/POS 011B : HTML 100B : CPCL Other than those above: Prohibition	
1-6	Data Discard Selection When an Error Occurs (Error Through)	Enable	Disable
1-7	Auto Activation by AC Selection (Auto Activation by AC)	Enable	Disable
1-8	Data Discard Selection When Output Buffer Full Occurs (Response Data Discarding)	Enable	Disable

General Setting 2

MS	Function	Value	
		0	1
2-1	Initialization Performance Selection After Paper Setting (Paper Set Handle)	Form Feed	None
2-2	Realtime Command Selection (Realtime Command)	Enable	Disable
2-3 to 4	Print Quality Selection* (Print Quality)	01B : Quality 2 10B : Quality 1 11B : Standard Other than those above: Prohibition	
2-5 to 6	LED Brightness Selection (LED Brightness)	00B : Level 1 Minimum 01B : Level 2 10B : Level 3 11B : Level 4 Maximum	
2-7	Reserved	-	Fixed
2-8	Auto Deactivation Selection by AC (Auto Deactivation by AC)	Enable	Disable

*: Standard: The printing speed is highest out of all 3 options. The printing quality is normal.

Quality 1: The printing speed is lower than "Standard", but the printing quality is appropriate for printing an image or barcode.

Quality 2: The printing speed is lowest, but the printing quality is highest out of all 3 options.

General Setting 3

MS	Function	Value	
		0	1
3-1 to 6	Paper Width Selection (Paper Width)	011000B : 80 mm / 576 dots 101100B : 100 mm / 736 dots 110001B : 105 mm / 776 dots 111000B : 112 mm / 832 dots Other than those above : Prohibition (Setting value = (number of dots - 384) / 8)	
3-7	Reserved	-	Fixed
3-8	Reserved	-	Fixed

General Setting 4

MS	Function	Value	
		0	1
4-1 to 8	Print Density Selection (Print Density)	01000110B: 70% 01001011B: 75% 01010000B: 80% 01010101B: 85% 01011010B: 90% 01011111B: 95% 01100100B: 100% 01101001B: 105% 01101110B: 110% 01110011B: 115% 01111000B: 120% 01111101B: 125% 10000010B: 130% 10000111B: 135% 10001100B: 140%	

General Setting 5

MS	Function	Value	
		0	1
5-1 to 8	Thermal Paper Selection (Thermal Paper)	00000000B : TF50KS-E2D 00000001B : PD160R 00000010B : P220VBB-1 00000011B : Alpha400-2.1 00000100B : KT48PF 00000101B : F5041 00000110B : HW76MW 00000111B : KIP370 00001000B : KLS46 Other than those above : Prohibition	

Auto Power Off Time Setting

MS	Function	Value	
		0	1
7 to 8	Auto Power Off Time Setting (Auto Power Off Time) MS7 : Lower 8 bits MS8 : Higher 8 bits	Set in seconds (Total of higher 8 bits and lower 8 bits : 0 to 65535 seconds, 0 : Disable) Once Auto Deactivation Selection by AC (MS2-8) is enabled : Disable	

ESC/POS Setting

MS	Function	Value	
		0	1
9-1	Automatic Status Response Selection <ESC/POS> (Auto Status Back <ESC/POS>)	Enable	Disable
9-2	Initialized Response Selection <ESC/POS> (Init. Response <ESC/POS>)	Enable	Disable
9-3 to 8	Reserved	-	Fixed
	Reserved	-	Fixed
	Reserved	-	Fixed
	Reserved	-	Fixed
	Reserved	-	Fixed
	Reserved	-	Fixed

HTML Setting

MS	Function	Value	
		0	1
10-1	Automatic Status Response Selection <HTML> (Auto Status Back <HTML>)	Enable	Disable
10-2	Initialized Response Selection <HTML> (Init. Response <HTML>)	Enable	Disable
10-3 to 8	Reserved	-	Fixed
	Reserved	-	Fixed
	Reserved	-	Fixed
	Reserved	-	Fixed
	Reserved	-	Fixed
	Reserved	-	Fixed

Command Setting

MS	Function	Value	
		0	1
13-1	Kanji Code System (Kanji Code)	Shift-JIS Code	JIS Code
13-2	180° Reverse Function Selection (Reverse Function)	Enable	Disable
13-3 to 8	Reserved	-	Fixed
	Reserved	-	Fixed
	Reserved	-	Fixed
	Reserved	-	Fixed
	Reserved	-	Fixed
	Reserved	-	Fixed

International Character Setting

MS	Function	Value	
		0	1
15	International Character Setting (International Character)	0000000B : USA 0000001B : France 0000010B : Germany 0000011B : United Kingdom 0000100B : Denmark I 0000101B : Sweden 0000110B : Italy 0000111B : Spain I 0001000B : Japan 0001001B : Norway 0001010B : Denmark II 0001011B : Spain II 0001100B : Latin America 0001101B : Prohibition 0001110B : Prohibition 0001111B : Prohibition 0010000B : Prohibition 0010001B : Arabia Other than those above : Prohibition	

Character Code Table Setting

MS	Function	Value	
		0	1
16	Character Code Table Setting (Character Code Table)	0000000B : USA, Standard Europe (Code Page 437) 00000001B : Katakana 00000010B : Multilingual (Code Page 850) 00000011B : Portuguese (Code Page 860) 00000100B : Canadian-French (Code Page 863) 00000101B : Nordic (Code Page 865) 00001101B : Turkish (Code Page 857) 00001110B : Greek (Code Page 737) 00010000B : Latin (Code Page 1252) 00010001B : Russian (Code Page 866) 00010010B : Eastern Europe (Code Page 852) 00010011B : Euro (Code Page 858) 00100010B : Cyrillic (Code Page 855) 00100101B : Arabic (Code Page 864) 00101101B : Central European (Code Page 1250) 00101110B : Cyrillic (Code Page 1251) 00101111B : Greek (Code Page 1253) 00110000B : Turkish (Code Page 1254) 11111111B : User Page Other than those above : Prohibition	

Mark Position Correction

MS	Function	Value	
		0	1
21 to 22	Mark Position Correction MS21 : Lower 8 bits MS22 : Higher 8 bits	Total of higher 8 bits and lower 8 bits : -48 to 2400 dots (Default : 0)	

Setting of Paper Feed Length for Mark Detection

MS	Function	Value	
		0	1
23 to 24	Mark Detection Maximum Feeding Length Setting MS23 : Lower 8 bits MS24 : Higher 8 bits	Total of higher 8 bits and lower 8 bits : 1 to 2400 dots (Default : 2400)	

Mark Detection Threshold Value

MS	Function	Value	
		0	1
25-1 to 8	Mark Detection Threshold Value	01H to EFH (Default : 18H)	

Setting of Bluetooth Communication

MS	Function	Value	
		0	1
-	iOS Auto Connection (Auto Connection)	Enable	Disable
	Reserved	-	Fixed
	Selected Searching Mode (Inquiry Response)	Always	Pairing Mode
	Selected Profile (Profile)	iAP2	SPP
	Reserved	-	Fixed



Seiko Instruments Inc.
1-8, Nakase, Mihama-ku, Chiba-shi,
Chiba 261-8507, Japan
Print System Division
Telephone:+81-43-211-1106
Facsimile:+81-43-211-8037

Seiko Instruments USA Inc.
Thermal Printer Div.
21221 S. Western Avenue, Suite 250, Torrance, CA 90501, USA
Telephone:+1-310-517-7778 Facsimile:+1-310-517-7779

Seiko Instruments GmbH (Economic operator)
Siemensstrasse 9, D-63263 Neu-Isenburg, Germany
Telephone:+49-6102-297-0 Facsimile:+49-6102-297-222
info@seiko-instruments.de

Seiko Instruments (H.K.) Ltd.
4-5/F, Wyler Center 2,200 Tai Lin Pai Road, Kwai Chung, N.T., Kowloon, Hong Kong
Telephone:+852-2494-5160 Facsimile:+852-2424-0901

Seiko UK Ltd. (Authorized Representative in the United Kingdom)
SC House, Vanwall Road, Maidenhead, Berkshire, SL6 4UW

Download page:<https://www.sii.co.jp/sps/eg/download/index.html>

(Specifications are subject to change without notice.)